



WL

High Abuse Surface Mount Fluorescent Ceiling or Wall

PRODUCT SPECIFICATION

The WL series is designed for general purpose lighting in high abuse environments. Its compact, low profile shape minimizes space requirements.

**Mounting**

Surface mounts to ceiling or wall.

**Lens**

.125 in., flat or dropped, UV stabilized polycarbonate.

**Housing**

18 gauge cold rolled steel die-formed to shape with seams welded and ground smooth. Aluminum and stainless steel available.

**Finish**

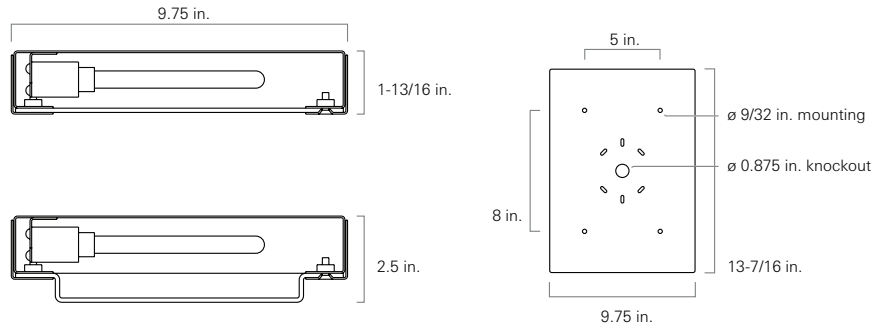
Polyester powder-coated after phosphate pretreatment for superior adhesion and corrosion resistance. Brushed stainless steel available.

**Hardware**

Recessed, stainless steel, tamper-proof fasteners.

**Certifications**

UL Listed damp location.



**one Lamps (not included)**

- 07 7 W T4 TT PL
- 09 9 W T4 TT PL
- 13 13 W T4 TT PL

**two Lamp Quantity**

- 1 One
- 2 Two
- 3 Three

**three Material**

- A Aluminum
- C Cold rolled steel, std
- S Stainless steel

**four Finish**

- R Brushed stainless steel
- W White

**five Voltage**

- 120 120 V, 60 Hz
- 277 277 V, 60 Hz
- 347 347 V, 60 Hz
- VAR Variable, 120-277 V, 50/60Hz

**six Ballast**

- PH Pre-Heat, std
- HP High Power Factor

**seven Lens**

- 12 .125 in. prismatic polycarbonate

**eight Door Fasteners**

- AP Stainless steel allen head with pin
- TP Stainless steel torx head with pin
- PH Phillips, non-security

**nine Options**

- CU Canadian UL Listing
- DL Drop Lens

Modifications are available to meet custom requirements.