



PRODUCT SPECIFICATION

The USX series is designed for corner mount cell lighting in medium, maximum and super max security detention facilities.

**Mounting**

Surface mounts to corner.

**Clamshell Housing**

One piece, die-formed cold rolled steel with seams welded and ground smooth, 14 gauge lens retainers and a full length, welded pin piano hinge. Stainless steel available.

**Back Plate**

16 gauge die-formed cold rolled steel with embossed mounting holes to create a contraband drop slot / irretrievable blade trap.

**Internal Lens**

Optic Plus lens (standard) completely hides diode image while providing minimum 95% light transmission.

**Finish**

Polyester powder-coated after phosphate pretreatment for superior adhesion and corrosion resistance. Brushed stainless steel available.

**Hardware**

Recessed, stainless steel, tamper-proof fasteners.

**Driver**

0-10Vdc dimming, Range 10%-100%  
-40°C Min. starting temperature, >0.9 PF, <20% THD

**Wiring**

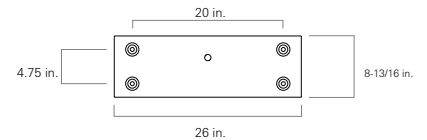
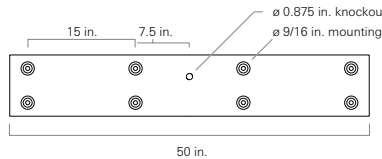
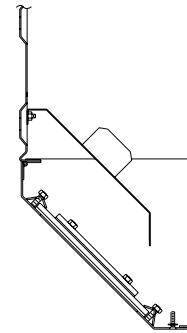
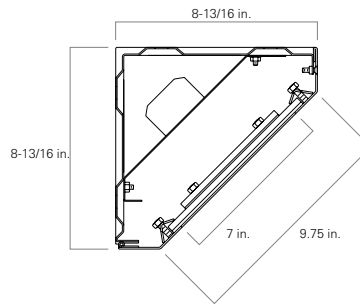
Driver provided with pre-wired 3-wire self-aligning input power quick disconnect and 2-wire quick disconnect to LED module.

Job Name \_\_\_\_\_

Fixture Type \_\_\_\_\_

Catalog No. \_\_\_\_\_

Approval \_\_\_\_\_ Date \_\_\_\_\_



**Certifications**

UL Listed damp or wet location. IP34 rated. Covered ceilings only.



USX	one	two	three	four	five	six	seven	eight	nine	ten	eleven	twelve	thirteen	fourteen
-----	-----	-----	-------	------	------	-----	-------	-------	------	-----	--------	--------	----------	----------

<b>one</b>	<b>Luminaire Size</b>	<b>seven</b>	<b>Voltage</b>	<b>eleven</b>	<b>Door Fasteners</b>
2	2 ft fixture	120	120 V, 60 Hz	AP	Stainless steel allen head with pin
4	4 ft fixture	277	277 V, 60 Hz	TP	Stainless steel torx head with pin
		VAR	Variable, 120-277 V, 50/60Hz	PH	Phillips head, non-security
<b>two</b>	<b>LED Rows</b>	<b>eight</b>	<b>Driver</b>	<b>twelve</b>	<b>Electrical Access</b>
1L	One	DM	0-10Vdc Dimming, <u>standard</u>	A	2.250 in. diameter access hole
2L	Two			K	0.875 in. diameter knockout(s), <u>std</u>
<b>three</b>	<b>Color Temperature</b>	<b>nine</b>	<b>Internal Lens</b>	<b>thirteen</b>	<b>UL Listing</b>
35	3500K	122	Optic Plus LED diffusing acrylic lens, <u>std</u>	D	Damp Location
40	4000K	53	.125 in. K12 prismatic acrylic	W	Wet Location
50	5000K	12	.125 in K12 prismatic polycarbonate		
<b>four</b>	<b>Housing Gauge</b>	15	.156 in. K12 prismatic polycarbonate	<b>fourteen</b>	<b>Options</b>
N	18 gauge, minimum security	16	.187 in. K12 prismatic polycarbonate	SO	Specified output*
D	16 gauge, medium security	75	.156 in. C73 prismatic tempered glass	2C	Two-circuit wired
X	14 gauge, maximum security			CU	Canadian UL Listing
U	12 gauge, super max, <u>CRS only</u>	<b>ten</b>	<b>External Lens</b>	EM	Emergency battery backup
<b>five</b>	<b>Housing Material</b>	30	.187 in. clear polycarbonate	FH	Fuse and holder
C	Cold rolled steel	32	.250 in. clear polycarbonate	NL-LED	Night light, LED
S	Stainless steel	36	.375 in. clear polycarbonate	IMS	Integral Occ Sensor
<b>six</b>	<b>Finish</b>	38	.500 in. clear polycarbonate	PS	Security push on/off switch
R	Brushed stainless steel	90	.187 in. clear tempered glass		
W	White	92	.250 in. clear tempered glass		
		96	.375 in. clear tempered glass		

\* Indicated as SO(xx/xxxx). Specified output, Input watts / delivered lumens to be determined based on specified requirements.

Modifications are available to meet custom requirements.

Photometric Data for a 2-ft fixture with one row

Lumens	Input Watts	Lumens / Watt	CCT	CRI
3440	29.3 watts	117	4000K	>80

Photometric Data for a 4-ft fixture with one row

Lumens	Input Watts	Lumens / Watt	CCT	CRI
6188	54 watts	114	4000K	>80

Coefficients of Utilization - Zonal Cavity Method (USX-LED 2-ft)

Effective Floor Cavity Reflectance: 20%

RCC %: RW %: RCR: 0	80				70				50			30			10			0
	70	50	30	0	70	50	30	0	50	30	20	50	30	20	50	30	20	0
1	1.17	1.17	1.17	1.17	1.13	1.13	1.13	.90	1.06	1.06	1.06	.99	.99	.99	.93	.93	.93	.90
2	1.03	.97	.91	.86	.99	.93	.88	.69	.87	.83	.79	.81	.78	.75	.76	.74	.71	.68
3	.92	.82	.74	.67	.88	.80	.72	.55	.74	.68	.63	.69	.64	.60	.65	.61	.57	.54
4	.83	.71	.62	.54	.80	.69	.60	.46	.64	.57	.51	.60	.54	.49	.56	.51	.47	.44
5	.76	.62	.53	.45	.73	.60	.51	.39	.57	.49	.43	.53	.46	.41	.50	.44	.39	.37
6	.69	.55	.46	.38	.66	.54	.44	.33	.50	.42	.36	.47	.40	.35	.44	.38	.34	.31
7	.64	.50	.40	.33	.61	.48	.39	.29	.45	.37	.31	.42	.36	.30	.40	.34	.29	.27
8	.59	.45	.35	.29	.57	.43	.35	.25	.41	.33	.27	.39	.32	.27	.36	.30	.26	.23
9	.55	.41	.32	.25	.53	.39	.31	.23	.37	.30	.24	.35	.29	.24	.33	.27	.23	.21
10	.51	.37	.29	.23	.49	.36	.28	.20	.34	.27	.22	.32	.26	.21	.31	.25	.21	.19
10	.48	.34	.26	.20	.46	.33	.25	.18	.32	.25	.20	.30	.24	.19	.29	.23	.19	.17

USX-LED - Polar Candela Distribution (USX-LED 2-ft)

