



PRODUCT SPECIFICATION

The USX series is designed for corner mount cell lighting in medium, maximum and super max security detention facilities.

Mounting

Surface mounts to corner.

Clamshell Housing

One piece, die-formed cold rolled steel with seams welded and ground smooth, 14 gauge lens retainers and a full length, welded pin piano hinge. Stainless steel available.

Back Plate

16 gauge die-formed cold rolled steel with embossed mounting holes to create a contraband drop slot / irretrievable blade trap.

Finish

Polyester powder-coated after phosphate pretreatment for superior adhesion and corrosion resistance. Brushed stainless steel available.

Hardware

Recessed, stainless steel, tamper-proof fasteners.

Wiring

All electrical components are reflector-mounted for easy wiring and maintenance.

Certifications

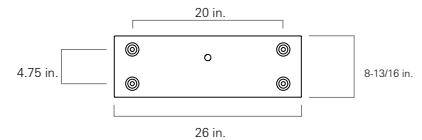
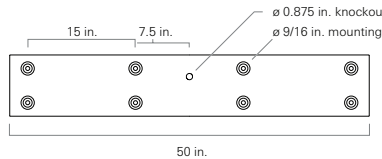
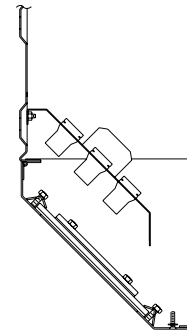
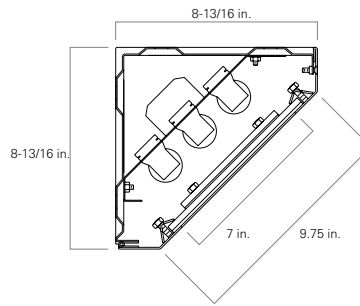
UL Listed damp or wet location. Covered ceilings only.

Job Name _____

Fixture Type _____

Catalog No. _____

Approval _____ Date _____



USX	one	two	three	four	five	six	seven	eight	nine	ten	eleven	twelve	thirteen
-----	-----	-----	-------	------	------	-----	-------	-------	------	-----	--------	--------	----------

one	Lamps (not included)	six	Voltage	ten	Door Fasteners
14	2 ft. 14 W T5	120	120 V, 60 Hz	AP	Stainless steel allen head with pin
17	2 ft. 17 W T8	277	277 V, 60 Hz	TP	Stainless steel torx head with pin
24	2 ft. 24 W T5 HO	347	347 V, 60 Hz	PH	Phillips head, non-security
4B	2 ft. 40 W T5 RS biax	VAR	Variable, 120-277 V, 50/60Hz	eleven	Electrical Access
28	4 ft. 28 W T5	seven	Ballast	A	2.250 in. diameter access hole
32	4 ft. 32 W T8	DM	Dimming	K	0.875 in. diameter knockout(s), <u>std</u>
54	4 ft. 54 W T5 HO	EL	Electronic Instant Start, <u>std T8</u>	twelve	UL Listing
two	Lamp Quantity	PR	Program Rapid Start, <u>std T5, option T8</u>	D	Damp Location
1	one	eight	Internal Lens	W	Wet Location
2	two	53	.125 in. K12 prismatic acrylic	thirteen	Options
3	three	12	.125 in. K12 prismatic polycarbonate	2C	Two-circuit wired
three	Housing Gauge	15	.156 in. K12 prismatic polycarbonate	CU	Canadian UL Listing
N	18 gauge, minimum security	16	.187 in. K12 prismatic polycarbonate	E1	One lamp emergency ballast
D	16 gauge, medium security	75	.156 in. C73 prismatic tempered glass	E2	Two lamp emergency ballast
X	14 gauge, maximum security	01	.005 in. UV absorbing overlay	FH	Fuse and holder
U	12 gauge, super max, <u>CRS only</u>	nine	External Lens	NL	Night light, for 7 or 9 W PL bipin
four	Housing Material	30	.187 in. clear polycarbonate	NL-LED	Night light, LED
C	Cold rolled steel	32	.250 in. clear polycarbonate	IMS	Integral Occ Sensor
S	Stainless steel	36	.375 in. clear polycarbonate	PS	Security push on/off switch
five	Finish	38	.500 in. clear polycarbonate		
R	Brushed stainless steel	90	.187 in. clear tempered glass		
W	White	92	.250 in. clear tempered glass		
		96	.375 in. clear tempered glass		

Modifications are available to meet custom requirements.