



PRODUCT SPECIFICATION

The USB series is designed for ceiling surface mount cell lighting in medium, maximum and super max security detention facilities. The unique lens design maximizes fixture efficiency.

Mounting

Surface mounts to ceiling.

Lens

One piece vandal resistant prismatic polycarbonate inner lens with a one piece clear polycarbonate outer lens (if required).

Clamshell Housing

One piece, die-formed cold rolled steel with seams welded and ground smooth, 14 gauge lens retainers and our unique hinge-free system allowing the housing to be completely removed for ease of installation and servicing. Stainless steel available.

Back Plate

16 gauge die-formed cold rolled steel with optional embossed mounting holes to create a contraband drop slot / irretrievable blade trap.

Finish

Polyester powder-coated after phosphate pretreatment for superior adhesion and corrosion resistance. Brushed stainless steel available.

Hardware

Recessed, stainless steel, tamper-proof fasteners.

Wiring

Reflector-mounted electrical components for easy wiring and maintenance.

Certifications

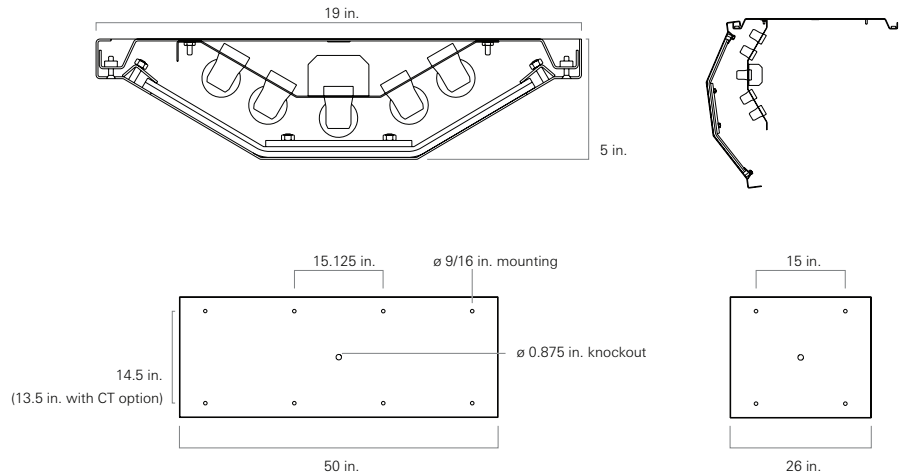
UL Listed damp location. Covered ceilings only.

Job Name _____

Fixture Type _____

Catalog No. _____

Approval _____ Date _____



one	Lamps (not included)	14 2 ft. 14 W T5	17 2 ft. 17 W T8	24 2 ft. 24 W T5 HO	4B 2 ft. 40 W T5 RS biax	28 4 ft. 28 W T5	32 4 ft. 32 W T8	54 4 ft. 54 W T5 HO	two	Lamp Quantity	3 three	4 four	5 five, <u>not available with CT option</u>	three	Housing Gauge	N 18 gauge, minimum security	D 16 gauge, medium security	X 14 gauge, maximum security	U 12 gauge, super max, <u>CRS only</u>	four	Housing Material	C Cold rolled steel	S Stainless steel	five	Finish	R Brushed stainless steel	W White	six	Voltage	120 120 V, 60 Hz	277 277 V, 60 Hz	347 347 V, 60 Hz	VAR Variable, 120-277 V, 50/60Hz	seven	Ballast	DM Dimming	EL Electronic Instant Start, <u>std T8</u>	PR Program Rapid Start, <u>std T5, option T8</u>	eight	Internal Lens	15 .156 in. K12 prismatic polycarbonate	16 .187 in. K12 prismatic polycarbonate	nine	External Lens	30 .187 in. clear polycarbonate	32 .250 in. clear polycarbonate	36 .375 in. clear polycarbonate	ten	Fasteners	AP Stainless steel allen head with pin	TP Stainless steel torx head with pin	PH Phillips, non-security	eleven	Electrical Access	A 2.250 in. diameter access hole	K 0.875 in. diameter knockout(s), <u>std</u>	twelve	Options	2C Two-circuit wired	CT Contraband trapping backplate	CU Canadian UL Listing	E1 One lamp emergency ballast	E2 Two lamp emergency ballast	FH Fuse and holder	NL Night light, for 7 or 9 W PL bipin	NL-LED Night light, LED	IMS Integral Occ Sensor
------------	-----------------------------	------------------	------------------	---------------------	--------------------------	------------------	------------------	---------------------	------------	----------------------	---------	--------	---	--------------	----------------------	------------------------------	-----------------------------	------------------------------	--	-------------	-------------------------	---------------------	-------------------	-------------	---------------	---------------------------	---------	------------	----------------	------------------	------------------	------------------	----------------------------------	--------------	----------------	------------	--	--	--------------	----------------------	---	---	-------------	----------------------	---------------------------------	---------------------------------	---------------------------------	------------	------------------	--	---------------------------------------	---------------------------	---------------	--------------------------	----------------------------------	--	---------------	----------------	----------------------	----------------------------------	------------------------	-------------------------------	-------------------------------	--------------------	---------------------------------------	-------------------------	-------------------------

Modifications are available to meet custom requirements.