



# SW-LED

High Abuse Surface Mount **LED** Linear

## PRODUCT SPECIFICATION

The SW series is designed for general purpose lighting in high abuse environments.

### Mounting

Surface mounts to ceiling. Knockouts on both ends permit continuous fixture mounting.

### Lens

One piece, vandal resistant, .156 in., extruded, UV satbilized, prismatic polycarbonate lens.

### Housing

16 gauge cold rolled steel, die-formed to shape with seams welded and ground smooth. Additional gauges, aluminum and stainless steel available.

### Finish

Polyester powder-coated after phosphate pretreatment for superior adhesion and corrosion resistance. Brushed stainless steel available.

### Hardware

Stainless steel, tamper-proof fasteners.

### Driver

0-10Vdc dimming, Range 10%-100%  
-40°C Min. starting temperature, >0.9 PF, <20% THD

### Wiring

Driver provided with pre-wired 3-wire self-aligning input power quick disconnect and 2-wire quick disconnect to LED module.

### Certifications

UL Listed damp or wet location. Covered ceilings only. IP54 rated.

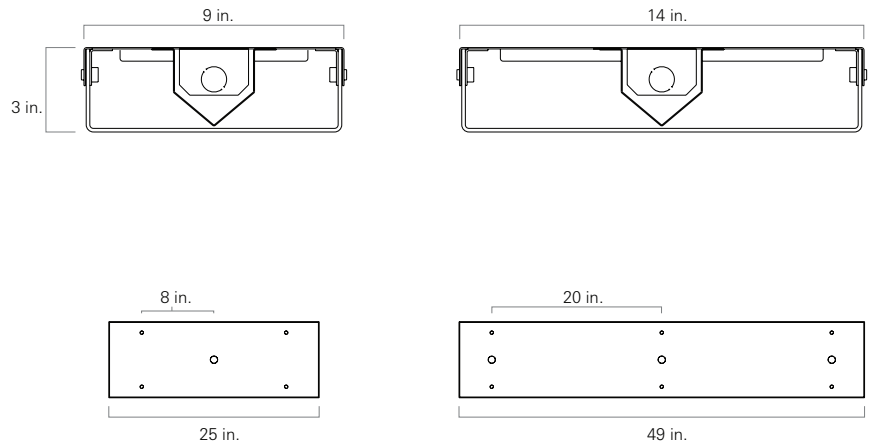
Job Name \_\_\_\_\_

Fixture Type \_\_\_\_\_

Catalog No. \_\_\_\_\_

Approval \_\_\_\_\_

Date \_\_\_\_\_



SW	one	two	three	four	five	six	seven	eight	nine	ten	eleven	twelve	thirteen
----	-----	-----	-------	------	------	-----	-------	-------	------	-----	--------	--------	----------

#### one Fixture Width

- 9 9 in. width
- 14 14 in. width

#### two Luminaire Size

- 2 2 ft. fixture
- 4 4 ft. fixture

#### three LED Rows

- 2L Two

#### four Color Temperature

- 35 3500K
- 40 4000K
- 50 5000K

#### five Material Gauge

- N 18 gauge, minimum security
- D 16 gauge, medium security, std
- X 14 gauge, maximum security

#### six Material

- A Aluminum
- C Cold rolled steel, std
- S Stainless steel

#### seven Finish

- R Brushed stainless steel
- W White

#### eight Voltage

- 120 120 V, 60 Hz
- 277 277 V, 60 Hz
- VAR Variable, 120-277 V, 50/60Hz

#### nine Ballast

- DM 0-10VDC Dimming, standard

#### ten Lens

- 15 .156 in. polycarbonate K12 prismatic

#### eleven Fasteners

- AP Stainless steel allen head with pin
- TP Stainless steel torx head with pin
- PH Phillips, non-security

#### twelve UL Listing

- D Damp location
- W Wet location

#### thirteen Options

- SO Specified output\*
- 2C Two-circuit wired
- CU Canadian UL Listing
- EM Emergency battery backup
- FH Fuse and holder
- IMS Integral Occ Sensor
- NL-LED Night light, LED

\* Indicated as SO(xx/xxxx). Specified output, Input watts / delivered lumens to be determined based on specified requirements.

Modifications are available to meet custom requirements.