



SH-LED

Maximum Security Surface Mount LED Wall

PRODUCT SPECIFICATION

The SH series is designed for wall mount direct / indirect cell lighting in medium, maximum and super max security detention facilities.

Mounting

Surface mounts to wall.

Clamshell Housing

One piece, die-formed cold rolled steel with seams welded and ground smooth, 14 gauge lens retainers and a full length, welded pin piano hinge. Stainless steel available.

Back Plate

16 gauge die-formed cold rolled steel with embossed mounting holes to create a contraband drop slot / irretrievable blade trap.

Internal Lens

Optic Plus lens (standard) completely hides diode image while providing minimum 95% light transmission.

Finish

Polyester powder-coated after phosphate pretreatment for superior adhesion and corrosion resistance. Brushed stainless steel available.

Hardware

Recessed, stainless steel, tamper-proof fasteners.

Driver

0-10Vdc dimming, Range 10%-100%
-40°C Min. starting temperature, >0.9 PF, <20% THD.

Wiring

Driver provided with pre-wired 3-wire self-aligning input power quick disconnect and 2-wire quick disconnect to LED module.

Certifications

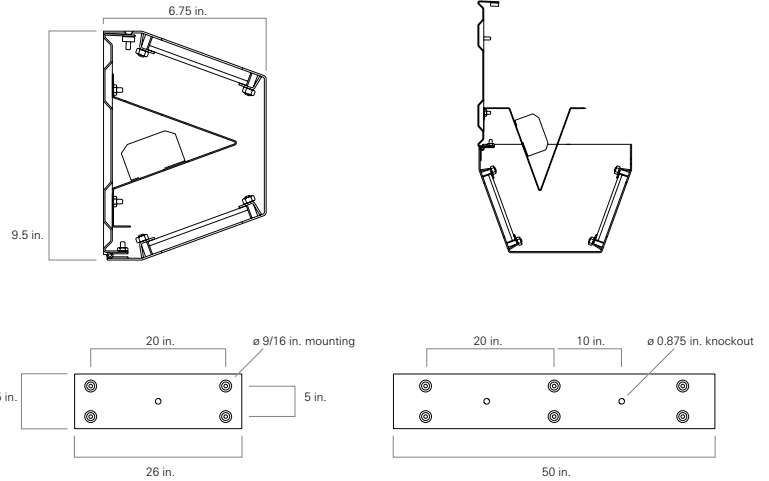
UL Listed damp or wet location. IP34 rated. Covered ceilings only.

Job Name _____

Fixture Type _____

Catalog No. _____

Approval _____ Date _____



SH	one	-	two	/	three	-	four	-	five	-	six	-	seven	-	eight	-	nine	-	ten	/	eleven	-	twelve	-	thirteen	-	fourteen	-	fifteen
----	-----	---	-----	---	-------	---	------	---	------	---	-----	---	-------	---	-------	---	------	---	-----	---	--------	---	--------	---	----------	---	----------	---	---------

one	Luminaire Size	2	2 ft fixture	4	4 ft fixture												
two	Uplight LED Rows	1L	One	2L	Two												
three	Downlight LED Rows	1L	One	2L	Two												
four	Color Temperature	35	3500K	40	4000K	50	5000K										
five	Housing Gauge	N	18 gauge, minimum security	D	16 gauge, medium security	X	14 gauge, maximum security	U	12 gauge, super max, <u>CRS only</u>								
six	Housing Material	C	Cold rolled steel	S	Stainless steel												
seven	Finish	R	Brushed stainless steel	W	White												
eight	Voltage	120	120 V, 60 Hz	277	277 V, 60 Hz	VAR	Variable, 120-277 V, 50/60Hz										
nine	Driver	DM	0-10Vdc Dimming, <u>standard</u>														
ten	Internal Lens	122	Optic Plus LED diffusing acrylic lens, <u>std</u>	53	.125 in. K12 prismatic acrylic	12	.125 in. K12 prismatic polycarbonate	15	.156 in. K12 prismatic polycarbonate	16	.187 in. K12 prismatic polycarbonate	75	.156 in. C73 prismatic tempered glass				
eleven	External Lens	30	.187 in. clear polycarbonate	32	.250 in. clear polycarbonate	36	.375 in. clear polycarbonate	38	.500 in. clear polycarbonate	90	.187 in. clear tempered glass	92	.250 in. clear tempered glass	96	.375 in. clear tempered glass		
twelve	Door Fasteners	AP	Stainless steel allen head with pin	TP	Stainless steel torx head with pin	PH	Phillips, non-security										
thirteen	Electrical Access	A	2.250 in. diameter access hole	K	0.875 in. diameter knockout(s), <u>std</u>												
fourteen	UL Listing	D	Damp Location	W	Wet Location												
fifteen	Options	SO	Specified output*	2C	Two-circuit wired	CU	Canadian UL Listing	EM	Emergency battery backup	FH	Fuse and holder	NL-LED	Night light, LED	IMS	Integral Occ Sensor	PS	Security push on/off switch

* Indicated as SO(xx/xxxx). Specified output, Input watts / delivered lumens to be determined based on specified requirements

Lumen Data / 2-ft Row	Lumen Data / 4-ft Row
2585 lumens at 28 watts per row	5175 lumens at 57 watts per row

Modifications are available to meet custom requirements.