



# SH

Maximum Security Surface Mount Fluorescent Wall

## PRODUCT SPECIFICATION

The SH series is designed for wall mount direct / indirect cell lighting in medium, maximum and super max security detention facilities.

### Mounting

Surface mounts to wall.

### Clamshell Housing

One piece, die-formed cold rolled steel with seams welded and ground smooth, 14 gauge lens retainers and a full length, welded pin piano hinge. Stainless steel available.

### Back Plate

16 gauge die-formed cold rolled steel with embossed mounting holes to create a contraband drop slot / irretrievable blade trap.

### Finish

Polyester powder-coated after phosphate pretreatment for superior adhesion and corrosion resistance. Brushed stainless steel available.

### Hardware

Recessed, stainless steel, tamper-proof fasteners.

### Wiring

Reflector-mounted electrical components for easy wiring and maintenance.

### Certifications

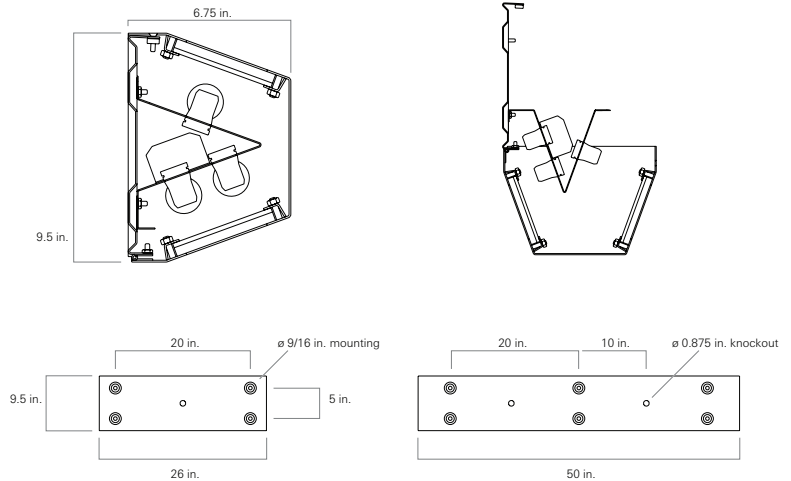
UL Listed damp or wet location. Covered ceilings only.

Job Name \_\_\_\_\_

Fixture Type \_\_\_\_\_

Catalog No. \_\_\_\_\_

Approval \_\_\_\_\_ Date \_\_\_\_\_



### one Uplight lamps (not included)

- 14 2 ft. 14 W T5
- 17 2 ft. 17 W T8
- 24 2 ft. 24 W T5 HO
- 4B 2ft. 40 W T5 RS biax
- 28 4 ft. 28 W T5
- 32 4 ft. 32 W T8
- 54 4 ft. 54 W T5 HO

### two Uplight Lamp Quantity

- 1 one
- 2 two

### three Downlight Lamps (not included)

- 14 2 ft. 14 W T5
- 17 2 ft. 17 W T8
- 24 2 ft. 24 W T5 HO
- 4B 2ft. 40 W RS T5 biax
- 28 4 ft. 28 W T5
- 32 4 ft. 32 W T8
- 54 4 ft. 54 W T5 HO

### four Downlight Lamp Quantity

- 1 one
- 2 two

### five Housing Gauge

- N 18 gauge, minimum security
- D 16 gauge, medium security
- X 14 gauge, maximum security
- U 12 gauge, super max, CRS only

### six Housing Material

- C Cold rolled steel
- S Stainless steel

### seven Finish

- R Brushed stainless steel
- W White

### eight Voltage

- 120 120 V, 60 Hz
- 277 277 V, 60 Hz
- 347 347 V, 60 Hz
- VAR Variable, 120-277 V, 50/60Hz

### nine Ballast

- DM Dimming
- EL Electronic Instant Start, std T8
- PR Program Rapid Start, std T5, option T8

### ten Internal Lens

- 53 .125 in. K12 prismatic acrylic
- 12 .125 in. K12 prismatic polycarbonate
- 15 .156 in. K12 prismatic polycarbonate
- 16 .187 in. K12 prismatic polycarbonate
- 75 .156 in. C73 prismatic tempered glass
- 01 .005 in. UV absorbing overlay

### eleven External Lens

- 30 .187 in. clear polycarbonate
- 32 .250 in. clear polycarbonate
- 36 .375 in. clear polycarbonate
- 38 .500 in. clear polycarbonate
- 90 .187 in. clear tempered glass
- 92 .250 in. clear tempered glass
- 96 .375 in. clear tempered glass

### twelve Door Fasteners

- AP Stainless steel allen head with pin
- TP Stainless steel torx head with pin
- PH Phillips, non-security

### thirteen Electrical Access

- A 2.250 in. diameter access hole
- K 0.875 in. diameter knockout(s), std

### fourteen UL Listing

- D Damp Location
- W Wet Location

### fifteen Options

- 2C Two-circuit wired
- CU Canadian UL Listing
- E1 One lamp emergency ballast
- E2 Two lamp emergency ballast
- FH Fuse and holder
- NL Night light, for 7 or 9 W PL bipin
- NL-LED Night light, LED
- IMS Integral Occ Sensor
- PS Security push on/off switch

Modifications are available to meet custom requirements.