



PRODUCT SPECIFICATION

The SC series is designed for use in all levels of security facilities and high abuse applications.

Mounting

Surface mounts to corner.

Housing

Die-formed cold rolled steel with seams welded and ground smooth. Stainless steel available.

Door

Outfitted with adjustable heavy gauge lens retainers.

Internal Lens

Optic Plus lens (standard) completely hides diode image while providing minimum 95% light transmission.

Finish

Polyester powder-coated after phosphate pretreatment for superior adhesion and corrosion resistance. Brushed stainless steel available.

Hardware

One piece, die-formed cold rolled steel door with 14 gauge lens retainers and a full length welded pin piano hinge. Stainless steel available.

Driver

0-10Vdc dimming, Range 10%-100%
-40°C Min. starting temperature, >0.9 PF, <20% THD.

Wiring

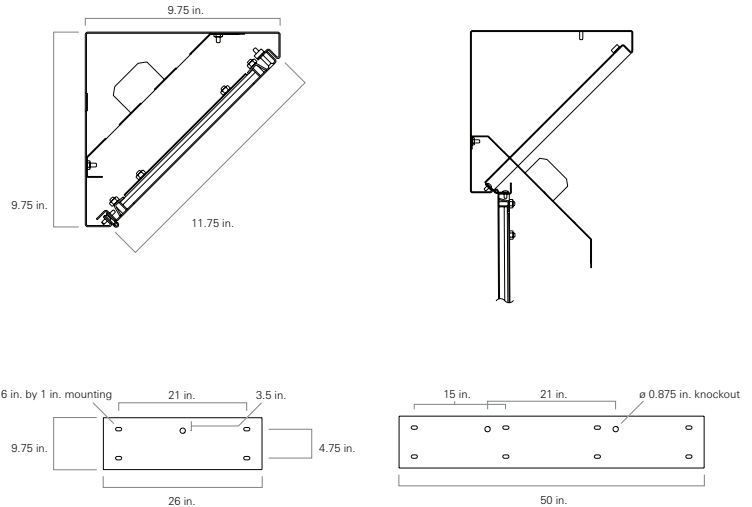
Driver provided with pre-wired 3-wire self-aligning input power quick disconnect and 2-wire quick disconnect to LED module.

Job Name _____

Fixture Type _____

Catalog No. _____

Approval _____ Date _____



Certifications

UL Listed damp or wet location. IP54 rated. Covered ceilings only.



one	Luminaire Size	seven	Voltage	twelve	Mounting holes
2	2 ft fixture	120	120 V, 60 Hz	D	Ceiling and wall mounting holes
4	4 ft fixture	277	277 V, 60 Hz	W	Wall mounting holes only
		VAR	Variable, 120-277 V, 50/60Hz		
two	LED Rows	eight	Driver	thirteen	Electrical access
1L	One	DM	0-10Vdc Dimming, <u>standard</u>	A	2.250 in. diameter access hole
2L	Two			K	0.875 in. diameter knockout(s), <u>std</u>
3L	Three				
three	Color Temperature	nine	Internal Lens	fourteen	UL Listing
35	3500K	122	Optic Plus LED diffusing acrylic lens, <u>std</u>	D	Damp Location
40	4000K	53	.125 in. K12 prismatic acrylic	W	Wet Location
50	5000K	12	.125 in K12 prismatic polycarbonate		
		15	.156 in. K12 prismatic polycarbonate		
		16	.187 in. K12 prismatic polycarbonate	fifteen	Options
		75	.156 in. C73 prismatic tempered glass	SO	Specified output*
four	Material gauge	ten	External lens	2C	Two-circuit wired
N	18 gauge, minimum security	30	.187 in. clear polycarbonate	CU	Canadian UL Listing
D	16 gauge, medium security	32	.250 in. clear polycarbonate	EM	Emergency battery backup
X	14 gauge, maximum security	36	.375 in. clear polycarbonate	FH	Fuse and holder
five	Material	38	.500 in. clear polycarbonate	NL-LED	Night light, LED
C	Cold rolled steel	90	.187 in. clear tempered glass	IMS	Integral Occ Sensor
S	Stainless steel	92	.250 in. clear tempered glass	PS	Security push on/off switch
		96	.375 in. clear tempered glass		
six	Finish	eleven	Door fasteners		
R	Brushed stainless steel	AP	Stainless steel allen head with pin		
W	White	TP	Stainless steel torx head with pin		
		PH	Phillips head, non-security		

* Indicated as SO(xx/xxxx). Specified output, Input watts / delivered lumens to be determined based on specified requirements.

Modifications are available to meet custom requirements.