



PRODUCT SPECIFICATION

Cleanrooms, laboratories, research facilities, kitchen areas, vivariums, natatoriums

**Mounting**

Mounts recessed in ceiling via swing brackets that extend and clamp with a single screw action.

**Housing**

18 gauge cold rolled steel die-formed to shape with seams welded, ground smooth, and caulked airtight.

**Door**

One-piece 18 gauge cold rolled steel, gasketed and sealed overlapping door. Freedom Hinge™ design permits removal and hinging from either side. Aluminum and stainless steel available.

**Lens**

K12 prismatic lens installed smooth-side out toward the environment.

**Finish**

Polyester powder-coated after phosphate pretreatment for superior adhesion and corrosion resistance. Brushed stainless steel door available.

**Hardware**

Recessed Stainless steel fasteners.

**Certifications**

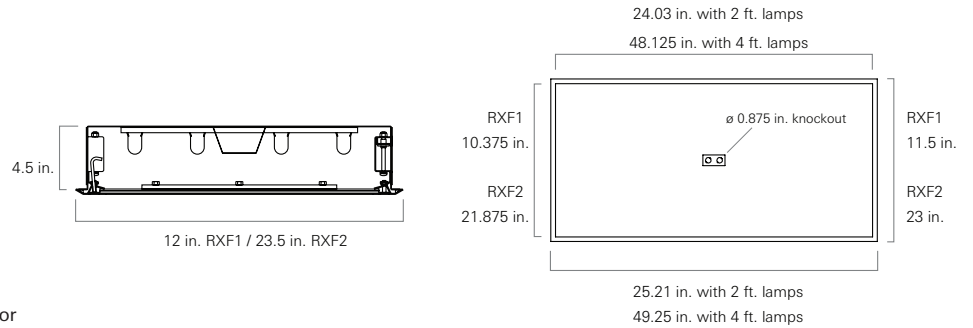
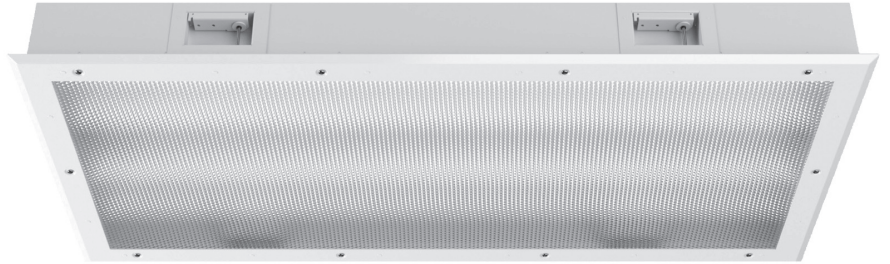
UL Listed wet location, IP65 rated, certified NSF2 for splash/non-food zones (option). Suitable for use in ISO-5 clean rooms (209E Class 100).

Job Name \_\_\_\_\_

Fixture Type \_\_\_\_\_

Catalog No. \_\_\_\_\_

Approval \_\_\_\_\_ Date \_\_\_\_\_



- one Luminaire Width**
  - 1 1 ft. - three lamp maximum
  - 2 2 ft.
- two Lamp Quantity**
  - 2 two
  - 3 three
  - 4 four
  - 6 six
- three Lamps (Not Included)**
  - 14 2 ft. 14 W T5
  - 17 2 ft. 17 W T8
  - 24 2 ft. 24 W T5 HO
  - 4B 2 ft. 40 W T5 biax
  - 28 4 ft. 28 W T5
  - 32 4 ft. 32 W T8
  - 54 4 ft. 54 W T5 HO

- four Ballast**
  - DM Dimming
  - EL Electronic Instant Start, std T8
  - PR Program Rapid Start, std T5, option T8
- five Voltage**
  - 120 120 V, 60 Hz
  - 277 277 V, 60 Hz
  - 347 347 V, 60 Hz
  - VAR Variable, 120-277 V, 50/60Hz
- six Door Material**
  - A Aluminum
  - C Cold rolled steel, standard
  - S Stainless steel
- seven Door Finish**
  - R Brushed stainless steel
  - W White

- eight Lens**
  - 12 .125 in. K12 prismatic polycarbonate
  - 15 .156 in. K12 prismatic polycarbonate
  - 53 .125 in. K12 prismatic acrylic
  - 113 .125 in. K12 prismatic acrylic with RFI Grid
- nine Options**
  - 2C Two circuit wired
  - CU Canadian UL Listing
  - E1 One lamp emergency ballast
  - E2 Two lamp emergency ballast
  - FH Fuse and holder
  - NS NSF listing
  - RF Radio interference filter, one per circuit
  - PF Plaster frame
  - AH Painted aluminum housing
  - SH Painted stainless steel housing
  - SB Brushed stainless steel housing
  - TP Stainless steel torx head fasteners
  - NL Night light for 7 W or 9 W PL bipin
  - NL-LED Night light, LED

Modifications are available to meet custom requirements.