



RW3-LED

High Abuse **LED** Surface Mount Linear

PRODUCT SPECIFICATION

The RW3 series is designed for general purpose lighting in high abuse environments.

Mounting

Surface mounts to ceiling. Knockouts on both ends permit continuous fixture mounting.

Lens

One piece, vandal resistant, .156 in., extruded, UV stabilized, prismatic polycarbonate lens.

Housing

18 gauge cold rolled steel die formed to shape. Stainless steel available.

Finish

Polyester powder-coated after phosphate pretreatment for superior adhesion and corrosion resistance. Brushed stainless steel available.

Hardware

Stainless steel, tamper-proof fasteners.

Driver

0-10Vdc dimming, Range 10%-100%
-40°C Min. starting temperature, >0.9 PF, <20% THD

Wiring

Driver provided with pre-wired 3-wire self-aligning input power quick disconnect and 2-wire quick disconnect to LED module.

Certifications

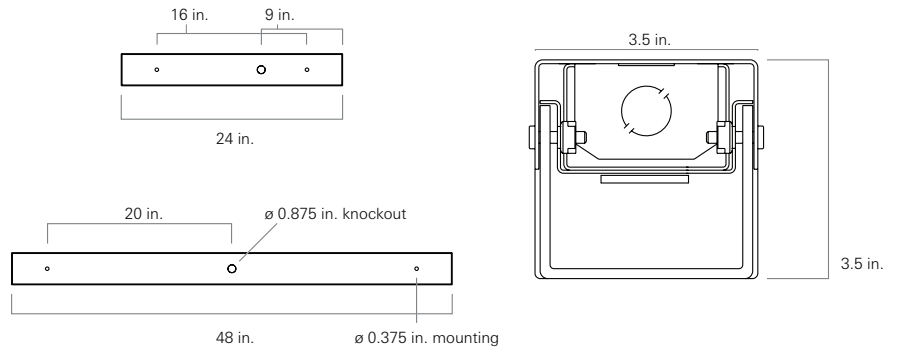
UL Listed damp or wet location.
Covered ceilings only. IP43 rated.

Job Name _____

Fixture Type _____

Catalog No. _____

Approval _____ Date _____



one Luminaire size
2 2 ft. fixture
4 4 ft. fixture

two LED rows
1L One

three Color Temperature
35 3500K
40 4000K
50 5000K

four Material
C Cold rolled steel
S Stainless steel
A Aluminum

five Finish
R Brushed stainless steel
W White

six Voltage
120 120 V, 60 Hz
277 277 V, 60 Hz
VAR Variable, 120-277 V, 50/60Hz

seven Driver
DM 0-10Vdc Dimming, standard

eight Fasteners
AP Stainless steel allen head with pin
TP Stainless steel torx head with pin
PH Phillips, non-security

nine UL Listing
D Damp Location
W Wet location

ten Options
SO Specified output*
CU Canadian UL Listing
EM Emergency battery backup
FH Fuse and holder

* Indicated as SO (xx/xxxx). Specified output, Input watts / delivered lumens to be determined based on specified requirements.

Modifications are available to meet custom requirements.

Photometric Data for a 2-ft fixture (Full Output)

Lumens	Input Watts	Lumens / Watt	CCT	CRI	LED Life
3024	29 watts	107	4000K	>80	>100,000

Photometric Data for a 4-ft fixture (Full Output)

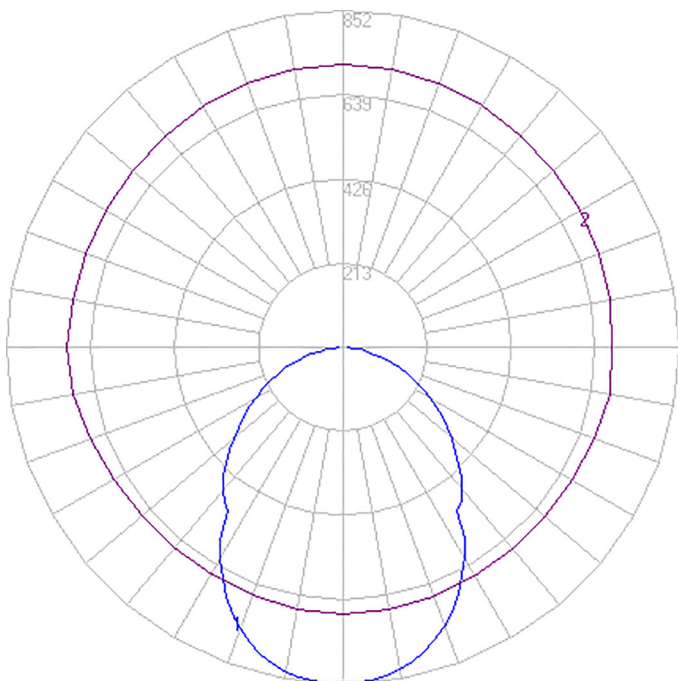
Lumens	Input Watts	Lumens / Watt	CCT	CRI	LED Life
6155	55 watts	112	4000K	>80	>100,000

Coefficients of Utilization - Zonal Cavity Method

Effective Floor Cavity Reflectance: 20%

RCC %:	80				70				50			30			10			0
RW %:	70	50	30	0	70	50	30	0	50	30	20	50	30	20	50	30	20	0
RCR: 0	1.18	1.18	1.18	1.18	1.15	1.15	1.15	.95	1.08	1.08	1.08	1.03	1.03	1.03	.98	.98	.98	.95
1	1.07	1.02	.97	.93	1.04	.99	.95	.79	.94	.91	.88	.89	.87	.84	.85	.83	.81	.78
2	.97	.89	.82	.76	.94	.86	.80	.66	.82	.77	.72	.78	.74	.70	.74	.71	.68	.65
3	.89	.78	.70	.63	.86	.76	.68	.56	.72	.66	.61	.69	.63	.59	.66	.61	.57	.55
4	.81	.69	.60	.54	.79	.67	.59	.49	.64	.57	.52	.61	.55	.50	.59	.54	.49	.47
5	.75	.62	.53	.46	.72	.60	.52	.43	.58	.50	.45	.55	.49	.44	.53	.47	.43	.41
6	.69	.56	.47	.40	.67	.55	.46	.38	.52	.45	.39	.50	.44	.39	.48	.42	.38	.36
7	.64	.51	.42	.36	.62	.50	.41	.33	.48	.40	.35	.46	.39	.34	.44	.38	.34	.32
8	.60	.46	.38	.32	.58	.45	.37	.30	.44	.36	.31	.42	.36	.31	.41	.35	.30	.28
9	.56	.43	.34	.29	.54	.42	.34	.27	.40	.33	.28	.39	.32	.28	.38	.32	.27	.26
10	.52	.39	.31	.26	.51	.39	.31	.25	.37	.30	.26	.36	.30	.25	.35	.29	.25	.23

RW3-LED 2-ft - Polar Candela Distribution



RW3-LED 4-ft Polar Candela Distribution

