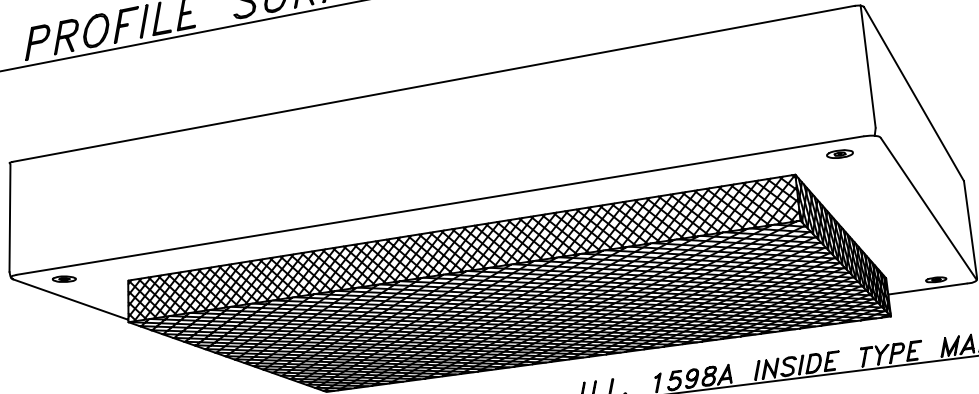
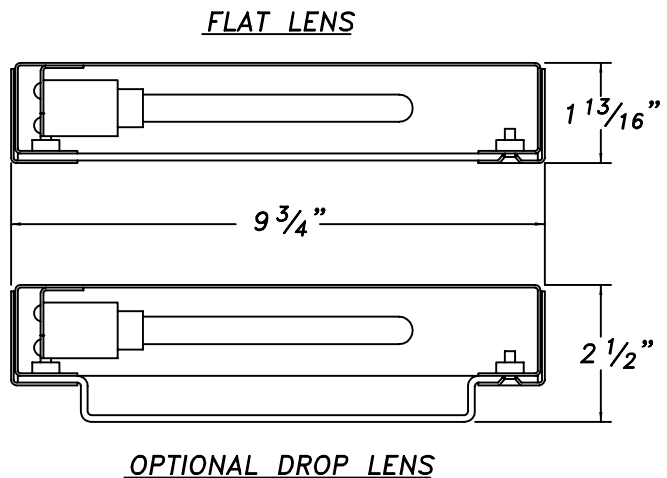
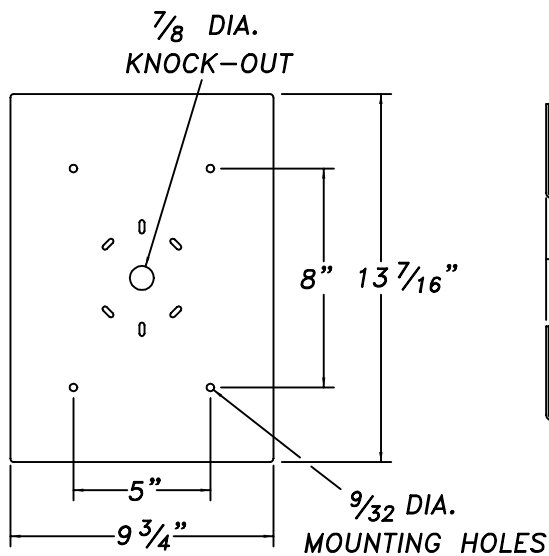


COMMERCIAL MARINE

MWL SERIES LOW PROFILE SURFACE LUMINAIRE



- IDEAL FOR ENVIRONMENTS WITH SPACE LIMITATIONS.
- 18 GAUGE, DIE FORMED, CONTINUOUSLY WELDED HOUSING.
- SPECIAL LENS COLORS, PATTERNS AND SIGNAGE AVAILABLE.
- STAINLESS STEEL CAPTIVE SCREWS.



COMMERCIAL MARINE

EXAMPLE: MWL132-CW-277-12-AP

MWL			-			-		-		-		
CHART	1	2	3	4	5	6	7	OPTIONS				

CHART #1 LAMPS	
07	7W PL-S, G23
09	9W PL-S, G23
13	13W PL-S, G23

CHART #6 LENS	
12	.125 POLYCARBONATE, PRISMATIC
53	.125 ACRYLIC, PRISMATIC
52	.125 WHITE ACRYLIC

CHART #2 LAMP QTY.		
1	2	3
LAMPS NOT INCLUDED		

CHART #7 DOOR FASTENERS	
AP	ALLEN HEAD W/PIN, STAINLESS STEEL
TP	TORX HEAD W/PIN, STAINLESS STEEL
PH	PHILLIPS HEAD, NON-SECURITY

CHART #3 MATERIAL SPEC.	
C	COLD ROLLED STEEL (STD.)
S	STAINLESS STEEL
A	ALUMINUM

OPTIONS	
HP	HIGH POWER FACTOR
DL	DROP LENS

CHART #4 FINISH	
W	WHITE
R	BRUSHED (STAINLESS ONLY)
	CUSTOM COLOR

DIMENSIONS AND SPECIFICATIONS SUBJECT TO CHANGE WITHOUT NOTIFICATION.

CHART #5 VOLTAGE (60 Hz.)	
120	277

MODIFICATIONS ARE AVAILABLE TO SUIT CUSTOM REQUIREMENTS.

