



intent

The ML290 series is designed for lighting small and awkward spaces in seaborne vessels and offshore platforms.

mounting

Surface mounts to ceilings and walls.

light source

One high output, six count LED board, available in white, cyan, and red.

lens

A single 0.25 in. thick acrylic lens sealed watertight against a closed cell neoprene O ring gasket.

housing

Made from cast aluminum.

finish

Polyester powder coated after phosphate treatment for superior adhesion and corrosion resistance.

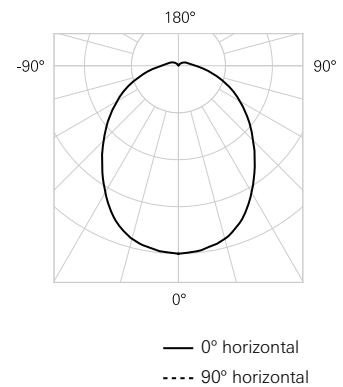
weight (less cable)

1.25 lb. (0.57 kg) each.

certifications

IP 67 rated. USCG ABS approved.

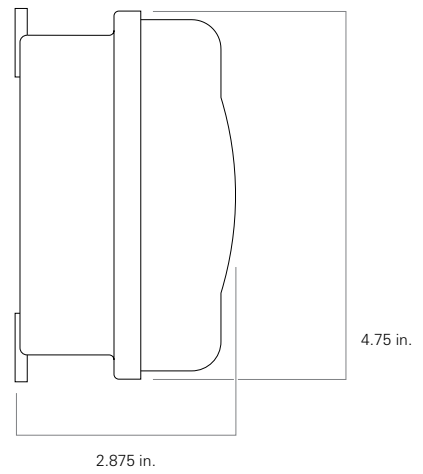
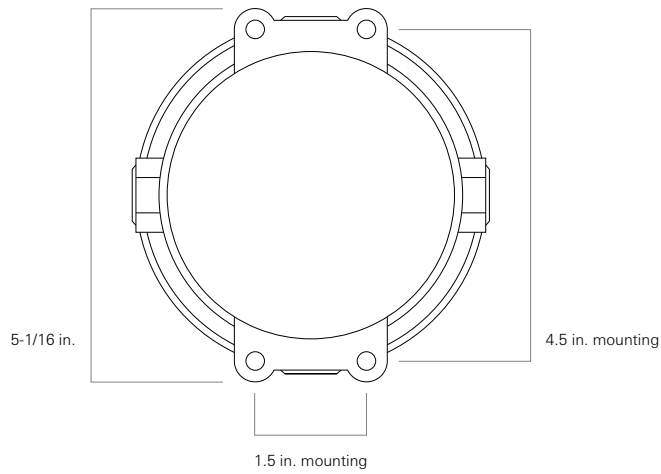
photometric distribution



ML290

marine
surface mount

LED
ceiling and wall



<div style="border: 1px solid black; padding: 2px; display: inline-block;">ML290</div> - <div style="border: 1px solid black; width: 30px; height: 20px; display: inline-block;"></div> - <div style="border: 1px solid black; width: 30px; height: 20px; display: inline-block;"></div> - <div style="border: 1px solid black; width: 100px; height: 20px; display: inline-block;"></div>	<p>one</p> <p>two</p> <p>three</p> <p>four</p>	<p>one</p> <p>P</p> <p>W</p> <p>two</p> <p>W</p> <p>C</p> <p>R</p>	<p>lens</p> <p>clear prismatic</p> <p>white acrylic</p> <p>LED color</p> <p>white</p> <p>cyan</p> <p>red</p>	<p>three</p> <p>24DC</p> <p>120</p> <p>four</p> <p>TS</p>	<p>light source</p> <p>12.6 W LED, 24 V DC</p> <p>20.0 W LED, 120 V AC, <u>only available in white</u></p> <p>options</p> <p>toggle switch</p>
--	--	--	--	---	--