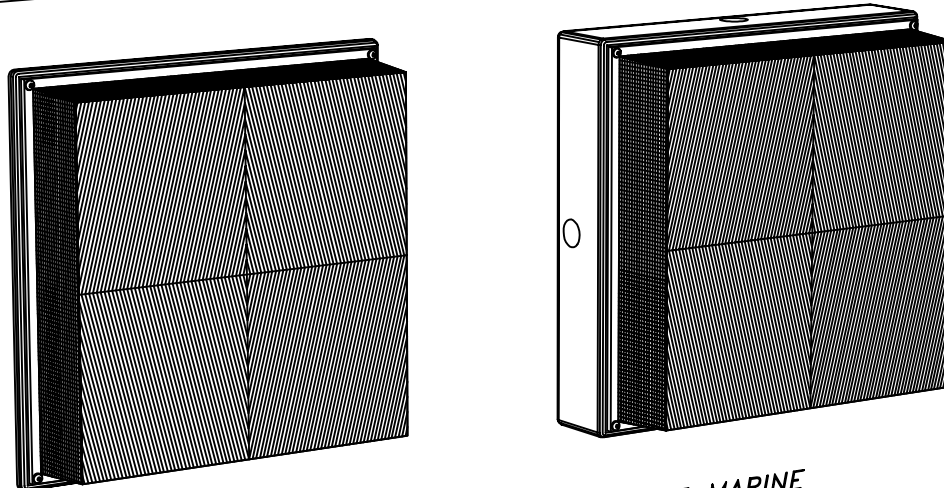


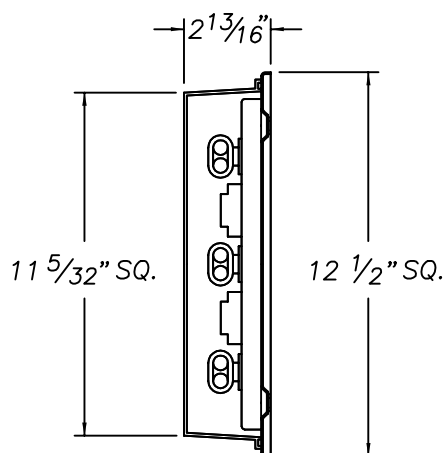
COMMERCIAL MARINE

MHA SERIES (FLUORESCENT) SURFACE LUMINAIRE

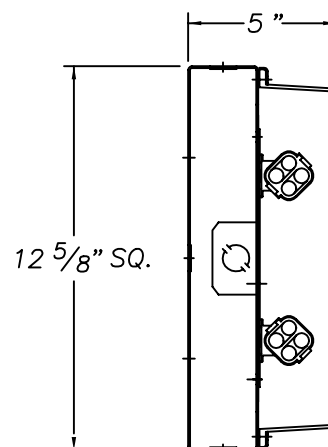


U.L. 1598A INSIDE TYPE MARINE

- ONE PIECE DIE FORMED HOUSING.
- INJECTION MOLDED ACRYLIC LENS.
- STAINLESS STEEL FASTENERS.



TWIN TUBE FLUORESCENT



CONDUIT MOUNTING



COMMERCIAL MARINE

EXAMPLE: MHA132-120HP-W-PH-FH

MHA			-			-		-				
CHART	1	2	3	4	5	6	OPTIONS					

CHART 1		PL LAMPS	
07	7W T4 TT		
09	9W T4 TT		
13	13W T4 TT		
13D	13W T4 DTT (CB ONLY)		
26	26W T4 DTT (CB ONLY)		

CHART 5		FINISH	
W	WHITE		
B	BLACK		
A	ALUMINUM		
Z	BRONZE		

CHART 2		LAMP QTY.	
1	2	3	
LAMPS NOT INCLUDED			

CHART 6		FASTENERS	
AP	ALLEN HEAD W/PIN, STAINLESS STEEL		
TP	TORX HEAD W/PIN, STAINLESS STEEL		
PH	PHILLIPS (NON SECURITY)		

CHART 3		VOLTAGE (60 Hz.)	
120	277		

OPTIONS	
CB	CONDUIT BOX
FH	FUSE AND HOLDER
E1	ONE LAMP 90 MIN. BATTERY BACKUP **
PC	PHOTO CELL **

CHART 4		BALLAST	
PH	PREHEAT (STANDARD)		
EL	ELECTRONIC *		
HP	HIGH POWER FACTOR		

* ELECTRONIC BALLASTS AVAILABLE FOR 13 & 26 WATT DTT LAMPS ONLY.

** WITH CONDUIT MOUNTING BOX ONLY.

DIMENSIONS AND SPECIFICATIONS SUBJECT TO CHANGE WITHOUT NOTIFICATION.

MODIFICATIONS ARE AVAILABLE TO SUIT CUSTOM REQUIREMENTS.

