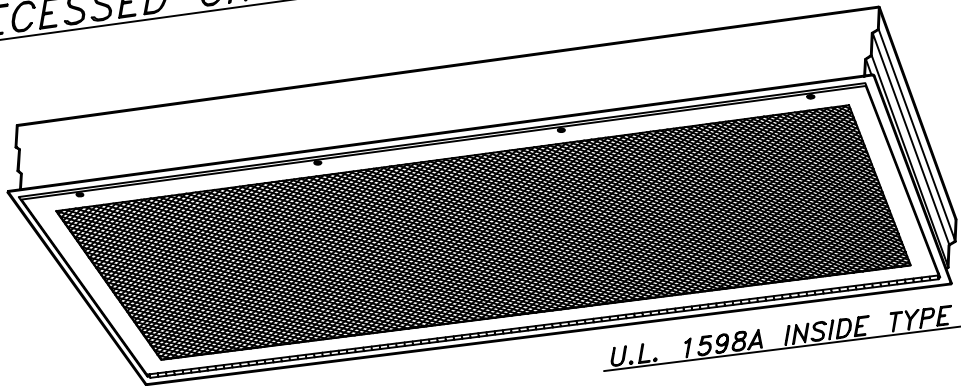
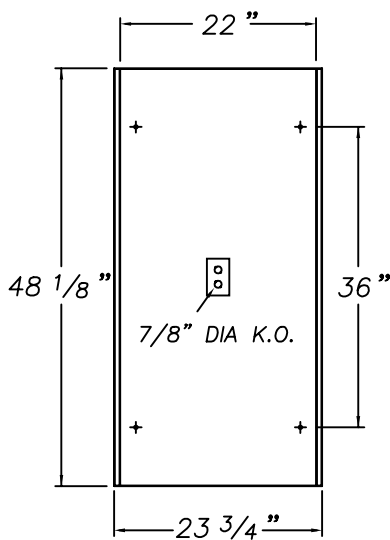
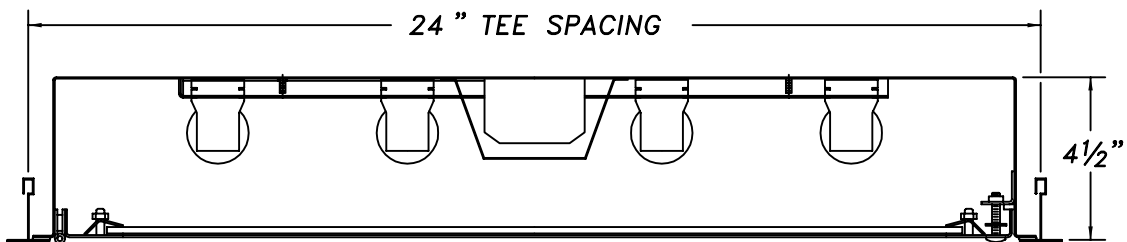


COMMERCIAL MARINE

MGTO SERIES RECESSED GRID 1" T LUMINAIRE



U.L. 1598A INSIDE TYPE MARINE



- HOUSING IS CONSTRUCTED OF DIE FORMED 18 GAUGE STEEL WITH WELDED SEAMS.
- TWO 7/8" DIAMETER KNOCKOUTS LOCATED IN THE ELECTRICAL ACCESS PLATE PERMIT CONDUIT FITTING CONNECTION.
- DOOR IS RETAINED WITH FOUR SCREWS AND A PIANO HINGE.
- FULL LENGTH ADJUSTABLE LENS RETAINERS.



COMMERCIAL MARINE

EXAMPLE: MGT0323-XCW-120EL-15/32-AP-NL

MGT0											
CHART	1	2	3	4	5	6	7	8	9	10	OPTION

CHART 1 LAMPS	
17	17W RS 2' T8
20	20W PH 2' T12
32	32W RS 4' T8
40	40W RS 4' T12
4U	40W RS 2' T12 U-6"
4B	40W RS 2' T5 BIAXIAL
60	60W HO 4' T12

CHART 3 DOOR GAGE	
X	14 Ga. MAXIMUM SECURITY
D	16 Ga. MEDIUM SECURITY
N	18 Ga. MINIMUM SECURITY

CHART 6 VOLTAGE (60 Hz.)	
120	277

CHART 4 DOOR SPEC.	
C	COLD ROLLED STEEL
S	STAINLESS STEEL

CHART 7 BALLAST	
EL	ELECTRONIC
ES	ENERGY SAVING
DM	DIMMING
HO	HIGH OUTPUT

CHART 2 LAMP QTY.		
2	3	4

LAMPS NOT INCLUDED

CHART 5 FINISH	
W	WHITE
R	BRUSHED, STAINLESS ONLY

CHART 8 INTERNAL LENS	
15	.156 POLYCARB. K12 PRISM.
53	.125 ACRYLIC K12 PRISM. (STD)
75	.156 TEMPERED GLASS PRISM.
01	.005 UV ABSORBING OVERLAY

CHART 9 EXTERNAL LENS	
30	.187 POLYCARBONATE (STD)
32	.250 POLYCARBONATE
90	.187 TEMPERED GLASS
92	.250 TEMPERED GLASS

CHART 10 DOOR FASTENERS	
AP	ALLEN HEAD W/PIN, HARDENED STEEL
TP	TORX HEAD W/PIN, HARDENED STEEL
PH	PHILLIPS HEAD, (NON SECURITY)

OPTIONS	
NL	NIGHT LIGHT, FOR 7W OR 9W PL BI-PIN (NOT INCL.)
E1	ONE LAMP EMERGENCY SERVICE
E2	TWO LAMP EMERGENCY SERVICE
FH	FUSE AND HOLDER
RF	RADIO INTERFERENCE FILTER
2C	2 CIRCUIT WIRED

DIMENSIONS AND SPECIFICATIONS SUBJECT TO CHANGE WITHOUT NOTIFICATION.

MODIFICATIONS ARE AVAILABLE TO SUIT CUSTOM REQUIREMENTS.

