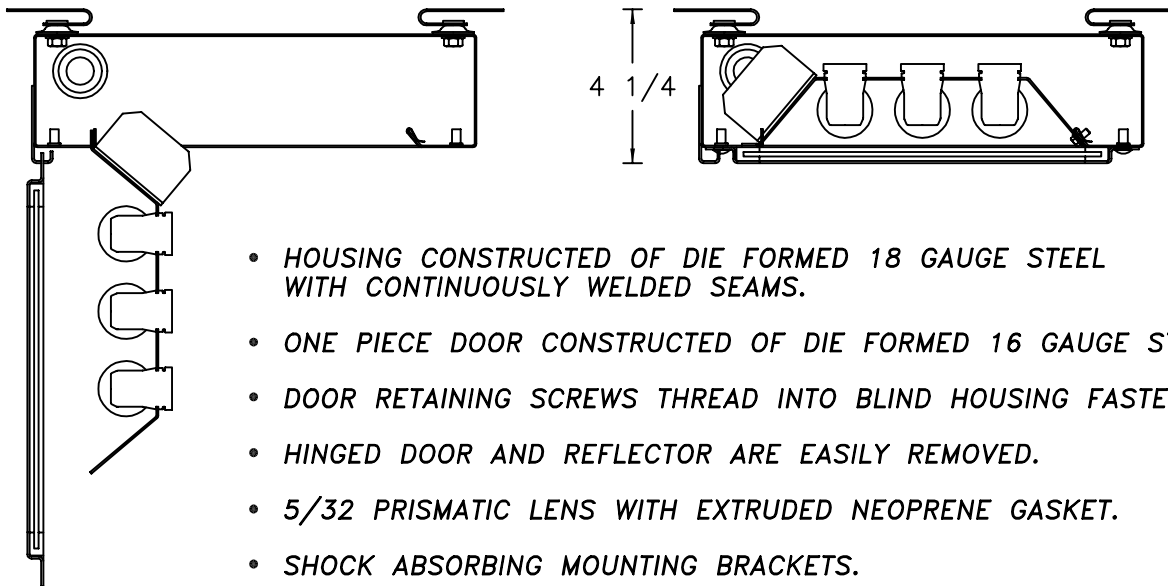
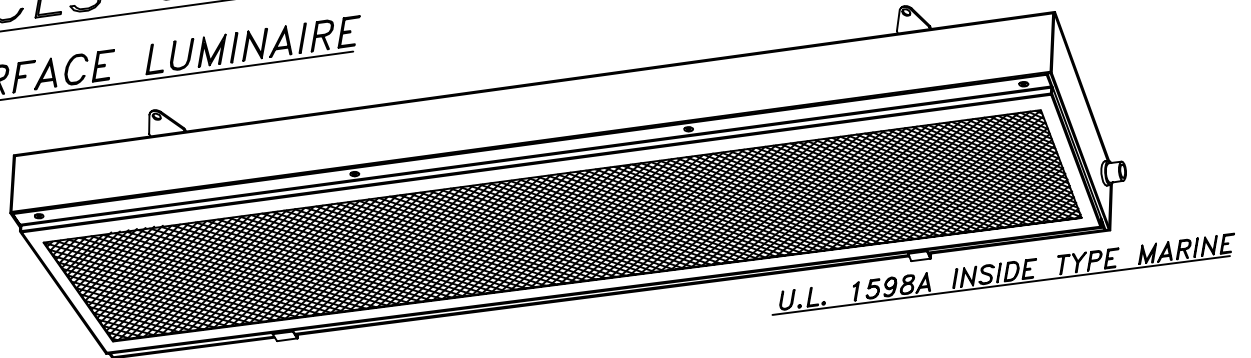
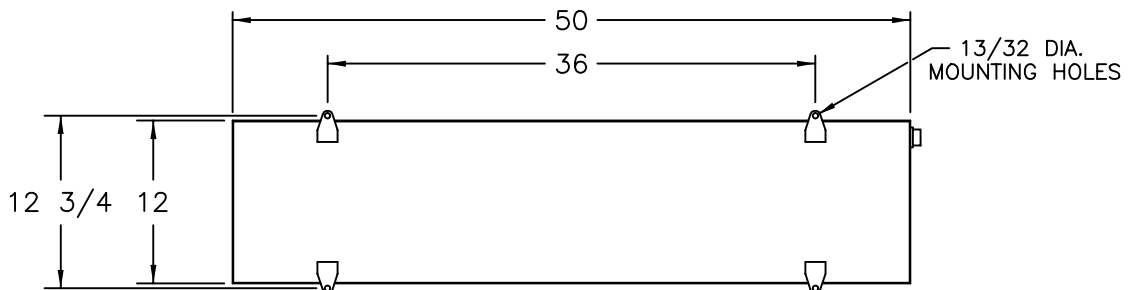


COMMERCIAL MARINE

MCLS SERIES SURFACE LUMINAIRE



- HOUSING CONSTRUCTED OF DIE FORMED 18 GAUGE STEEL WITH CONTINUOUSLY WELDED SEAMS.
- ONE PIECE DOOR CONSTRUCTED OF DIE FORMED 16 GAUGE STEEL.
- DOOR RETAINING SCREWS THREAD INTO BLIND HOUSING FASTENERS.
- HINGED DOOR AND REFLECTOR ARE EASILY REMOVED.
- 5/32 PRISMATIC LENS WITH EXTRUDED NEOPRENE GASKET.
- SHOCK ABSORBING MOUNTING BRACKETS.
- 1/2" NPT CONDUIT HUB.



COMMERCIAL MARINE

EXAMPLE: MCLS323-CW-120EL-15PH

MCLS			-			-			-		-	
CHART	1	2	3	4	5	6	7	8	OPTIONS			

CHART 1		LAMPS	
1	7	17W RS 2' T8	
2	0	20W PH 2' T12	
3	2	32W RS 4' T8	
4	0	40W RS 4' T12	

CHART 6		BALLAST	
E	S	ENERGY SAVING RAPID START	
E	L	ELECTRONIC	
L	T	LOW TEMPERATURE	
H	P	HIGH POWER FACTOR	

CHART 2		LAMP QTY.	
1	2	3	

LAMPS NOT INCLUDED

CHART 7		LENS	
1	5	.156 POLYCARB. K12 PRISM.	
5	5	.156 ACRYLIC K12 PRISM.	
7	5	.156 TEMPERED GLASS PRISM.	

CHART 3		MATERIAL SPEC.	
C	COLD ROLLED STEEL		
S	STAINLESS STEEL		

CHART 8		FASTENERS	
A	P	ALLEN HEAD W/PIN, STAINLESS STEEL	
T	P	TORX HEAD W/PIN, STAINLESS STEEL	
P	H	PHILLIPS HEAD, STAINLESS STEEL	

CHART 4		FINISH	
W	WHITE		
R	BRUSHED, STAINLESS ONLY		

OPTIONS			
N	L	NIGHT LIGHT, F8T5 LAMP (NOT INCL.)	
L	L	LAMP LOCKS FOR T12 LAMPS	
2	H	TWO CONDUIT HUBS, ONE EACH END	

CHART 5		VOLTAGE (60 Hz.)	
120	277	347	

DIMENSIONS AND SPECIFICATIONS SUBJECT TO CHANGE WITHOUT NOTIFICATION.

MODIFICATIONS ARE AVAILABLE TO SUIT CUSTOM REQUIREMENTS.



THE L.C. DOANE COMPANY DESIGNERS AND MANUFACTURERS OF SPECIALIZED LIGHTING EQUIPMENT

P.O. Box 975 • Essex, CT 06426 • (860) 767-8295 • Fax (860) 767-1397 • Web Site: www.lcdoane.com