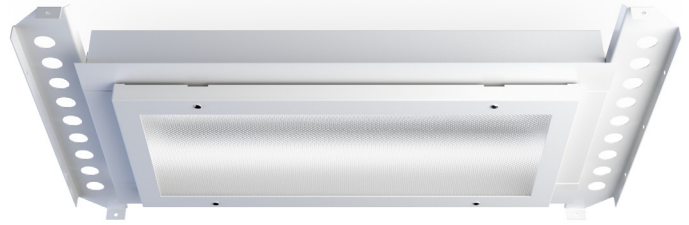


M711 Series

Dampa-Style Modular Ceiling Fluorescent Fixture

The M711 Series unique universal mounting brackets are designed to allow either perpendicular or parallel recessed installation in modular ceilings. One fixture does both jobs.



Housing Cold rolled steel. Fits suspended ceiling systems using standard 11 13/16" (300 mm) linear ceiling panels with 1" (25 mm) recess. Gap between housing and door on all sides provides clearance for ceiling panel lip, thus eliminating on-site ceiling panel notching.

Door Marine Grade Aluminum. Hinged door is retained with captive 1/4 turn closure screws and features side-off removal from housing. Doors are one ceiling panel wide, two or four panels long depending on fixture length.

Lens Prismatic acrylic diffuser.

Lamps Two lamps retained by vibration resistant spring loaded lamp holders.

Finish White, powder coat polyester.

Ballast Options Standard universal 120-277 VAC, 50/60 Hz, electronic ballast (consult factory for other options).

Features

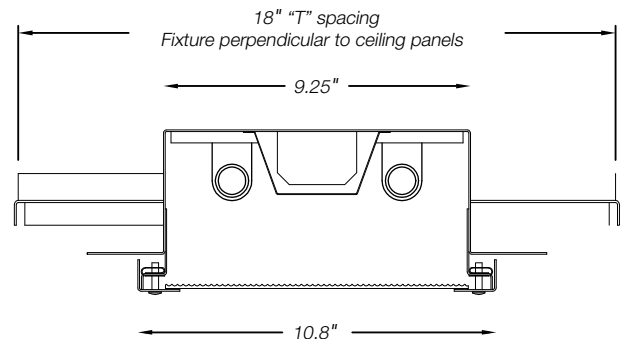
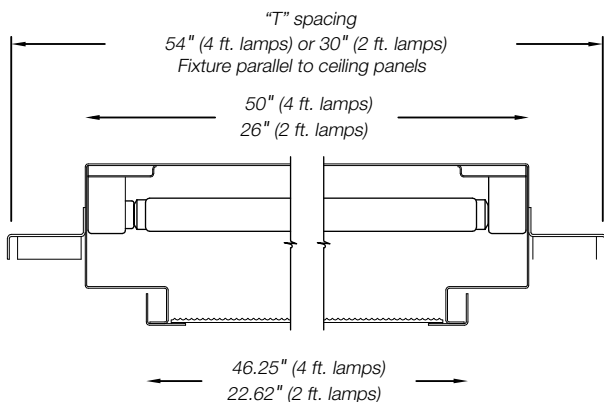
- » 2' or 4' fixture lengths
- » Dampa-style
- » Universal mounting bracket
- » Vibration resistant lamp holders
- » Eliminates on-site panel notching
- » Drip-proof
- » UL 1598A marine
- » IP 44
- » U.S.C.G. - ABS

Applications

- » Dampa-style modular ceilings
- » Hallways
- » Common rooms

Dimensions *dimensions and specifications subject to change without notification*

Weight: 4 ft. with electronic ballast = 26 lbs. (11.8 kg)
 2 ft. with electronic ballast = 16 lbs. (7.25 kg)





1 Lamp type

17	17W T8, (2 ft)
28	28W T5, (4 ft)
32	32W T8, (4 ft)
54	54W T5 HO, (4 ft)
60	60W T12 HO, (4 ft)

Options

E1	One lamp emergency service
2C	Two circuit wired
U30	30mm U channel carrier mounting brackets
C16	Dampa DCC 300 carrier 16 mounting brackets



M711 mounts perpendicular or parallel