

## M64 Series

(formerly M215D)

### **Desk Light 15 or 30 Watts Fluorescent Light Fixture**

#### **Specifications**

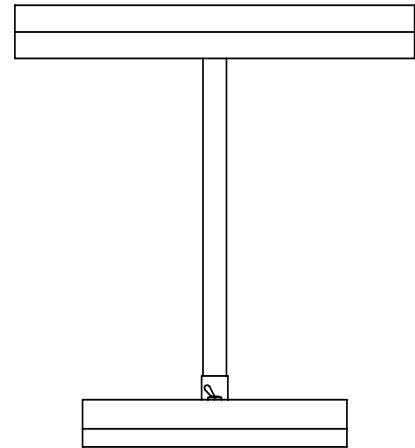
**CONSTRUCTION:** Copper free aluminum with die-formed ends. Available with a DPST toggle switch and eight feet SJT cord and plug and continuously adjustable arm. It accommodates 1 or 2 15W lamps.

**REFLECTOR:** A specular aluminum one piece electrical component mounting tray, locking Bi-Pin lampholders.

**LENS:** One piece impact resistant white linear prismatic acrylic.

**FINISH:** White, powder coat polyester with phosphate pretreatment to ensure superior adhesion.

**BALLAST:** Standard 120 Volt, Class P. Consult factory for other options.



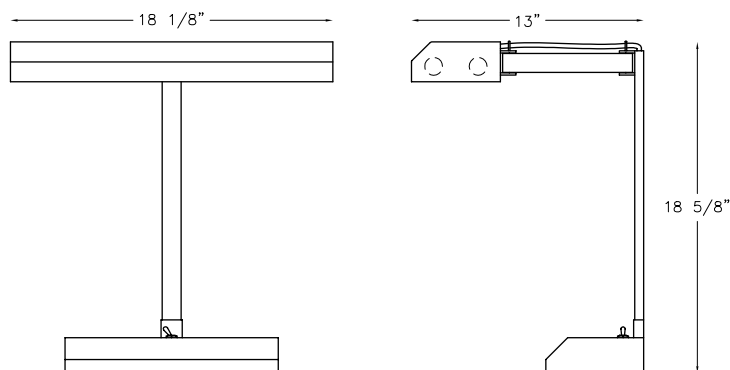
#### **Applications**

- **Desk Light**
- **Bunks, bulkheads**
- **Chart Light**
- **Accommodations**

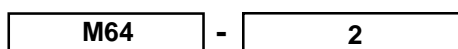
U.S.C.G.-UL 1598A Marine

1 or 2 lamp combinations

Modifications are available to suit custom requirements



#### **How To Order** Example: M64-2.



LAMPS  
1=one  
2=two