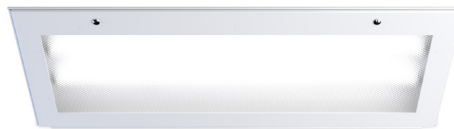


M506 Series Fluorescent Light Fixture

The M506 is an enclosed and gasketed twin fluorescent detail lighting fixture. These units are perfect for mirror, corridor or stairwell lighting. The M506 Series options include a duplex receptacle or a single receptacle with a toggle switch.



Housing Die formed marine grade aluminum housing with continuously welded seams.

Lens One piece flat 1/8" thick prismatic acrylic.

Lens frame Manufactured of marine grade aluminum. Hinged the full length on one side, and latched with two spring loaded quarter turn fasteners for easy access to lamps and maintenance of the fixture.

Lamp holders Spring loaded lamp sockets hold lamps securely in position.

Finish White, powder coat finish, inside and out, phosphate pretreated to ensure superior adhesion and rust resistance.

Ballast Standard universal 120-277 VAC, 50/60 Hz, electronic ballast. 15 watt fixtures use 120 VAC, 60 Hz magnetic ballasts. Consult factory for other options.

Features

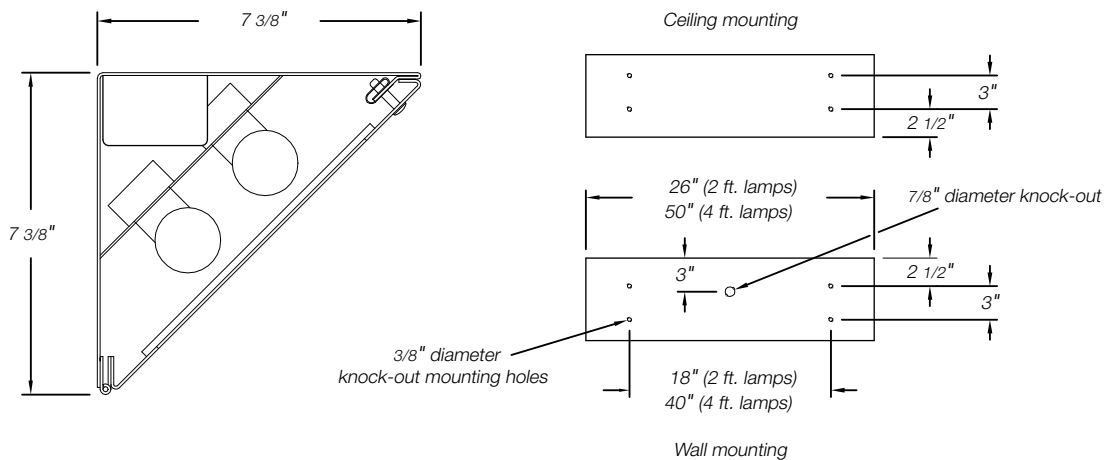
- » 2' or 4' fixture lengths
- » 2 lamps
- » Optional stuffing tube
- » Drip-proof
- » UL 1598A marine
- » IP 54
- » U.S.C.G. - ABS

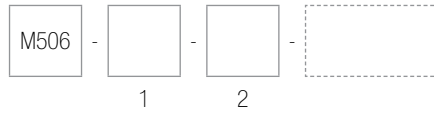
Applications

- » Mirror lighting fixture
- » Work stations
- » Crew quarters
- » Corridors / stairwells

Dimensions *dimensions and specifications subject to change without notification*

Weight: 4 ft. with electronic ballast = 17 lbs. (7.7 kg)
2 ft. with electronic ballast = 13 lbs. (5.9 kg)





1 Lamp type

15	15W T12 (2 ft)
17	17W T8 (2 ft)
28	28W T5 (4 ft)
32	32W T8 (4 ft)

2 Features

Blank	No receptacle or switch
A	Duplex receptacle (15W only)
B	Single receptacle with DPST toggle switch (15W only)

Options

SJO	10' of 16/3 cable, pre-wired
ST	Stuffing tube