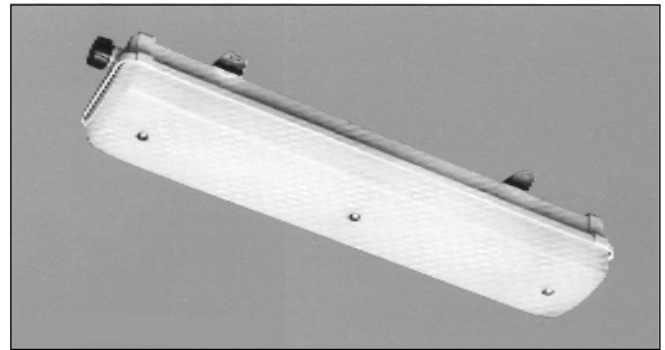


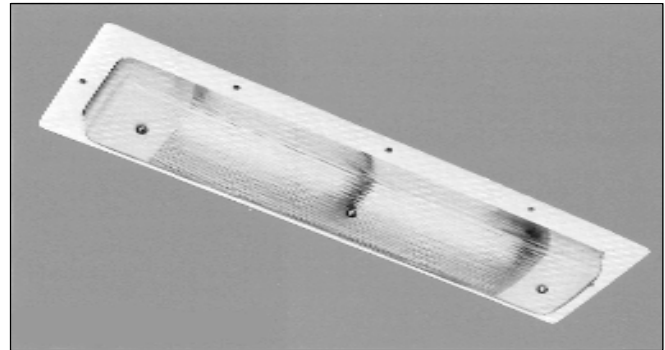
M470 Series

Surface or Recessed Mount Fluorescent Light Fixture

The M470 Series is engineered and constructed specifically for marine installation where unusually severe operating conditions exist. The housing is manufactured of marine grade aluminum. The lens is formed 1/4" thick acrylic. Three, nickel plated, captive screws hold the lens securely to the housing assuring a watertight seal between the lens and housing.



M470 Series, White Acrylic, Surface Mount



M470 Series, Prismatic Acrylic, Recessed Mount

Specifications

HOUSING: Constructed of marine grade dieformed and cast aluminum. A neoprene gasket is seated in a continuous groove to assure a watertight seal between the lens and the housing. Each fixture has one factory installed stuffing tube.

LAMP HOLDERS: Fluorescent lampholders are installed with lamp lock devices to hold the 15W T12 lamps securely in position.

LENS: One piece formed 1/4" thick acrylic secured with three nickel plated, captive screws.

SHOCK MOUNTS: Zinc plated, corrosion resistant, shock resistant mounting brackets.

FINISH: White, powder coat finish, inside and out, phosphate pretreated to ensure superior adhesion and rust resistance.

BALLAST: Low power factor type. Operates at 120 volt, 60 Hertz.

WARRANTY: 5 years against defective material and workmanship.

Applications

- **Severe Conditions**
- **Work Areas**
- **Corridors/Stairwells**
- **Engine Rooms**

Watertight lighting fixture
 Factory Installed stuffing tube
 1, 2 or 3 lamp combinations
 Marine Grade U.L. Listed 1598A
 U.S.C.G.

Modifications are available to suit
 custom requirements

How To Order Example: M470-S-W-SW.

SERIES	MOUNTING	LENS	OPTIONAL	OPTIONAL FILTERS
M470 = (1) 15W Lamp	S = Surface	W = White Diffusing	SW = Switch	R = Red
M472 = (2) 15W Lamps	R = Recessed	P = Clear Prismatic	SJO = 10' of 16/3 cable	B = Blue
M473 = (3) 15W Lamps				Y = Amber

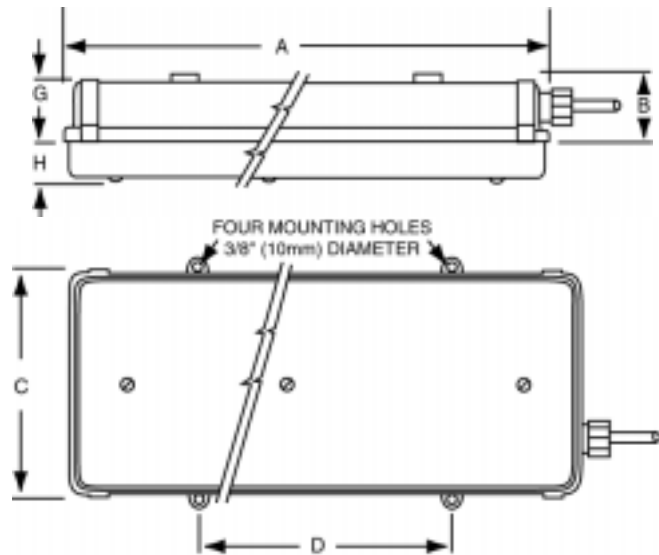
M470 Series

Surface or Recessed Fluorescent Light Fixture

Dimensions Dimensions and specifications subject to change without notification

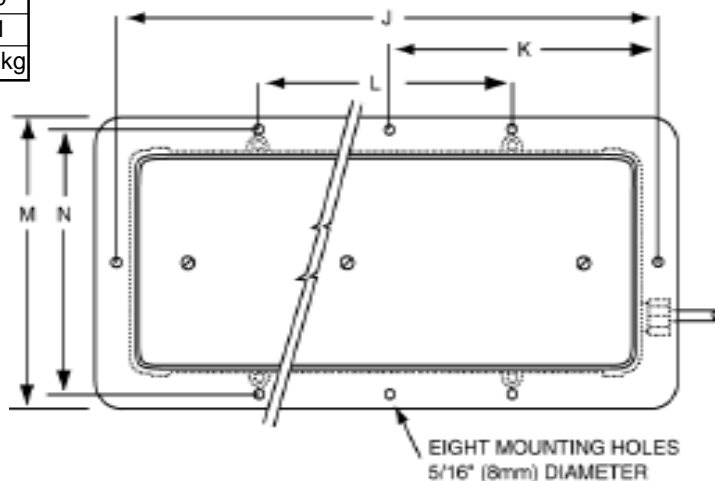
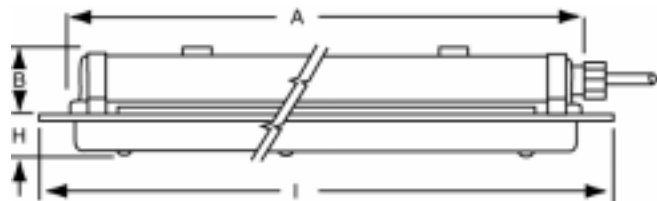
Surface Mount Dimensions

	M470		M472		M473	
	inches	(mm)	inches	(mm)	inches	(mm)
A	23-3/16"	589	23"	584	23-1/4"	590
B	2-3/8"	60	2-1/2"	63	2-9/16"	65
C	4-3/4"	121	7-1/4"	184	9-1/4"	236
D	13-7/8"	352	13-7/8"	352	13-7/8"	352
H	1-1/2"	38	1-11/32"	34	1-3/4"	44
Weight	6lbs 4oz/2.9 kg		8lbs 11oz/3.9kg		12lbs/5.4 kg	



Recessed Mount Dimensions

	M470		M472		M473	
	inches	(mm)	inches	(mm)	inches	(mm)
A	23-3/16"	589	23"	584	23-1/4"	590
B	2-3/8"	60	2-1/2"	63	2-9/16"	65
H	1-1/2"	38	1-11/32"	34	1-3/4"	44
I	25-9/16"	649	25-5/16"	643	25-5/8"	651
J	24-5/16"	617	24-1/16"	611	24-3/8"	619
K	12-5/32"	309	12-1/32"	305	12-3/16"	309
L	13-7/8"	352	13-7/8"	352	13-7/8"	352
M	7-1/4"	184	9-15/16"	252	11-7/8"	302
N	6"	152	8-11/16"	221	10-5/8"	270
P	23-9/16"	598	23-5/16"	592	23-5/8"	600
R	5-1/4"	133	7-15/16"	202	9-7/8"	251
Weight	8lbs 9oz/3.9kg		10lbs 1oz/4.6kg		13lbs 10oz/6.2kg	



Recommended Ceiling Opening

