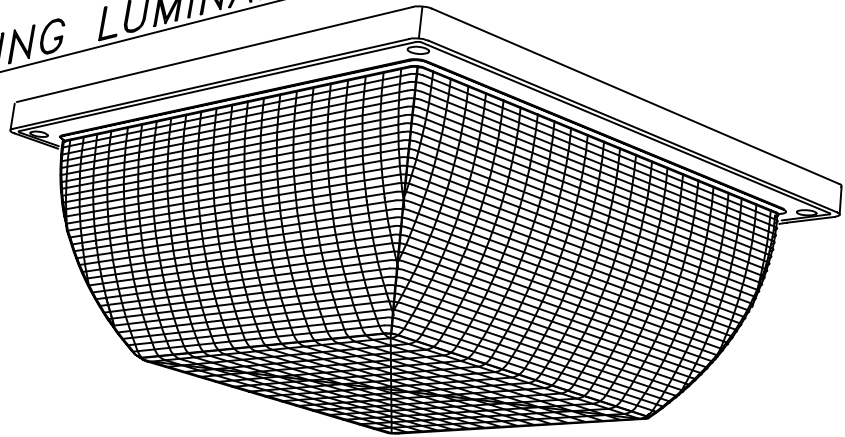


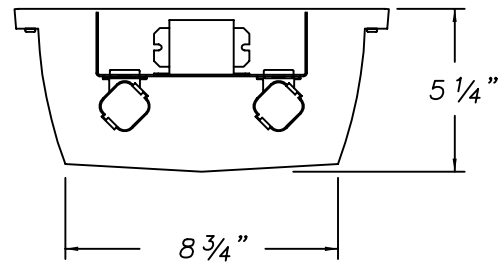
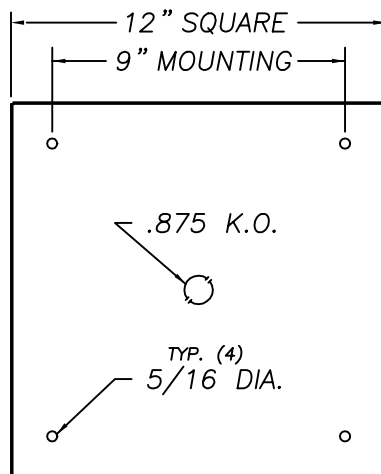
COMMERCIAL MARINE

*M400 SERIES
WALL & CEILING LUMINAIRE*



U.L. 1598A INSIDE TYPE MARINE

- INJECTION MOLDED PRISMATIC LENS.
- 4 STAINLESS STEEL TAMPER RESISTANT LENS RETAINING SCREWS.
- ONE PIECE 18 GAUGE DIE FORMED STEEL BACKPLATE.



COMMERCIAL MARINE

EXAMPLE: M400-262C-120EL-OP

M400	-				-						
CHART		1	2	3		4		5		6	OPTIONS

CHART #1 PL LAMPS

13D	13W 5" T4 DTT
18D	18W 6" T4 DTT
26	26W 7" T4 DTT (STANDARD)
32T	32W 6" T4 TTT
42C	42W 7" T4 QTT

LAMPS NOT INCLUDED

CHART #2 LAMP QTY.

1	2
---	---

CHART #3 MATERIAL SPEC.

C	COLD ROLLED STEEL
S	STAINLESS STEEL

CHART #4 VOLTAGE (60 Hz.)

120	277
-----	-----

CHART #5 BALLAST *

PH	PREHEAT
EL	ELECTRONIC
HP	HIGH POWER FACTOR

*CONSULT FACTORY

CHART #6 LENS

A	CLEAR ACRYLIC
P	CLEAR POLYCARB.
OP	WHITE POLYCARB.
OA	WHITE ACRYLIC

OPTIONS

DIMENSIONS AND SPECIFICATIONS SUBJECT TO CHANGE WITHOUT NOTIFICATION.



THE L.C. DOANE COMPANY DESIGNERS AND MANUFACTURERS OF SPECIALIZED LIGHTING EQUIPMENT

P.O. Box 975 • Essex, CT 06426 • (860) 767-8295 • Fax (860) 767-1397 • Web Site: www.lcdoane.com