

M3 Series Fluorescent Light Fixture

The M3 series is designed for surface mounted use and is constructed from marine grade aluminum with an acrylic diffuser.



- Housing** Die cast aluminum ends cap a die formed aluminum center section. Housing features a factory installed cable access stuffing tube.
- Reflector** A one-piece hinged electrical component mounting tray, secured with 1/4 turn fasteners for tool-less access to ballast and wiring. Vibration resistant, spring loaded, medium bi-pin lamp holders.
- Lens** One piece impact resistant clear textured acrylic seated against an extruded neoprene gasket.
- Lens Retention** Quick release clamping rails make for easy, tool-less access to lamps and electrical components.
- Mounting** Zinc plated, corrosion resistant, shock resistant brackets.
- Finish** White powder coat polyester finish with phosphate pretreatment to ensure superior adhesion.
- Ballast** Standard universal 120-277 VAC, 50/60 Hz, electronic ballast. Consult factory for other options.

Features

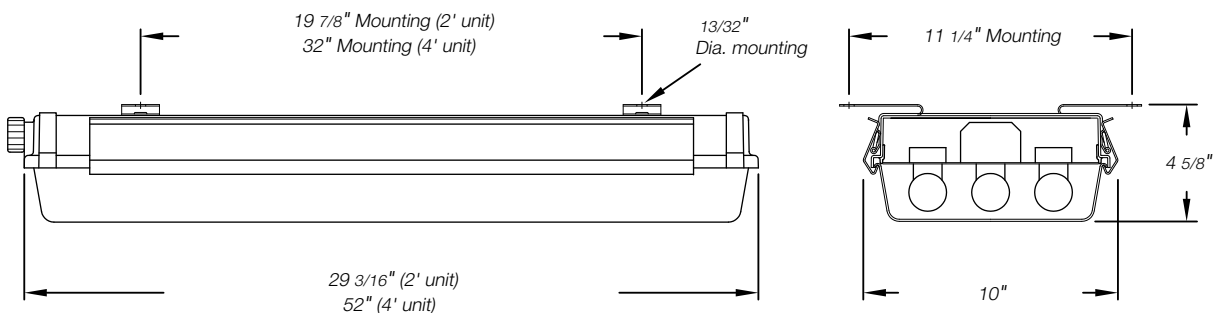
- » 2' or 4' fixture lengths
- » 1, 2, or 3 lamp combination
- » Drip-proof
- » UL 1598A marine
- » IP 65
- » U.S.C.G. - ABS

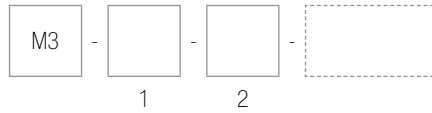
Applications

- » High moisture areas
- » Work stations
- » Passageways
- » Oil platforms
- » Processing plants
- » Engine rooms

Dimensions *dimensions and specifications subject to change without notification*

Weight: 4 ft. = 25.0 lbs. (11.3 kg)
2 ft. = 15.0 lbs. (6.80 kg)





1 Lamp type

17	<i>17W T8, (2 ft)</i>
28	<i>28W T5, (4 ft)</i>
32	<i>32W T8, (4 ft)</i>
54	<i>54W T5, (4 ft)</i>

2 Lamp quantity

1	<i>One</i>
2	<i>Two</i>
3	<i>Three</i>

Options

E1	<i>One lamp emergency service</i>
2ST	<i>2 Stuffing tubes, one each end</i>
SJO	<i>10' of 16/3 cable, prewired</i>
2C	<i>Two circuit wired</i>
DC	<i>12/24 Volt DC</i>
WG	<i>Wire guard</i>
