

M290 Series Incandescent Light Fixture

The M290 Series is a simple watertight lighting solution. It's available with a white, red, or blue diffusing lens; an optional toggle switch; and AC or DC power. Watertight, supplied with a boot for the toggle switch option.



Housing Manufactured of cast aluminum. Packed with a liquid and oil tight cord grip.

Lens Thermoformed white or prismatic 1/4" acrylic lens secured to the housing with four captive screws. Gasketed with a closed cell neoprene O-ring for a watertight seal.

Lamp One double contact bayonet candelabra style lamp, not included.

Finish White, powder coat polyester, inside and out.

Features

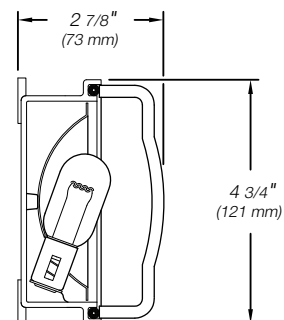
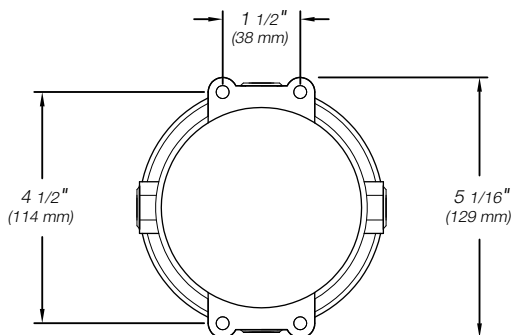
- » Watertight housing
- » UL 1598 marine
- » IP 67

Applications

- » Refrigerated spaces
- » Detail light
- » Small areas

Dimensions *dimensions and specifications subject to change without notification*

Weight: 1.5 lbs. (0.7 kg)





1 Lens

W	<i>White acrylic</i>
R	<i>Red acrylic</i>
B	<i>Blue acrylic</i>
P	<i>Clear prismatic acrylic</i>

Options

TS	<i>Toggle switch</i>