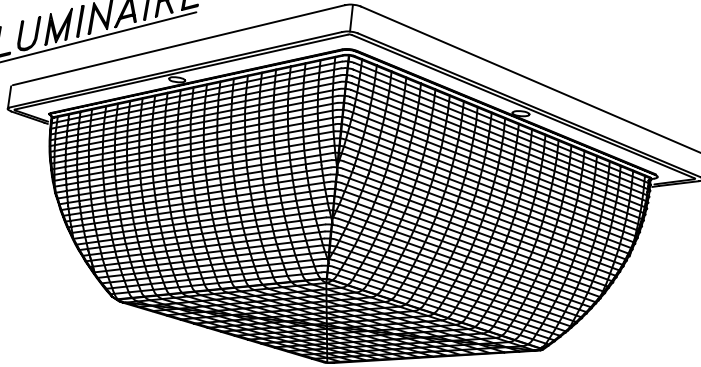


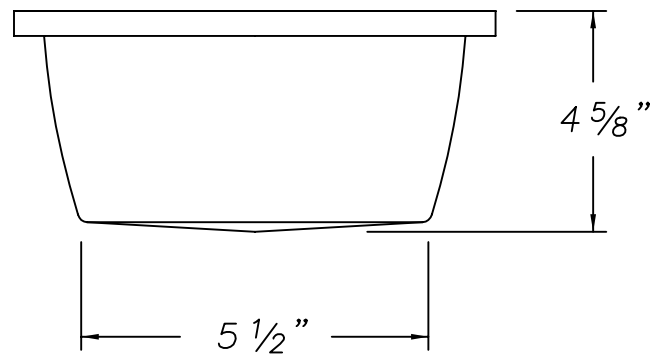
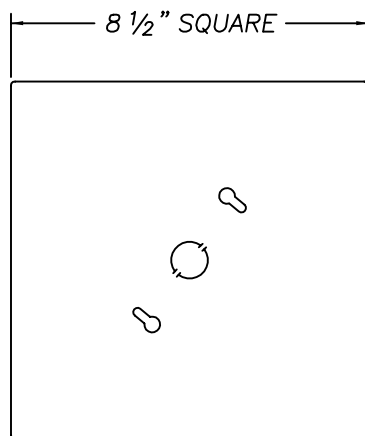
COMMERCIAL MARINE

*M200 SERIES
WALL & CEILING LUMINAIRE*



U.L. 1598A INSIDE TYPE MARINE

- INJECTION MOLDED PRISMATIC LENS.
- 4 STAINLESS STEEL LENS RETAINING SCREWS.
- ONE PIECE 18 GAUGE DIE FORMED STEEL BACKPLATE.



COMMERCIAL MARINE

EXAMPLE: M200-26C-120EL-OP

M200	-		-		-		-		-			
CHART		1		2		3		4		5		OPTION

CHART 1 **PL LAMPS**

09	9W 6" T4 TT
13	13W 7" T4 TT
13D	13W 5" T4 DTT
18D	18W 6" T4 DTT
26	26W 7" T4 DTT
32T	32W 6" T4 TTT
42	42W 6" T4 QTT

LAMP NOT INCLUDED

CHART 2 **MATERIAL SPEC.**

C	COLD ROLLED STEEL
S	STAINLESS STEEL

CHART 3 **VOLTAGE (60 Hz.)**

120	277
-----	-----

CHART 4 **BALLAST ***

PH	PREHEAT
EL	ELECTRONIC
HP	HIGH POWER FACTOR

*CONSULT FACTORY

CHART 5 **LENS**

A	CLEAR ACRYLIC
P	CLEAR POLYCARB.
OP	WHITE POLYCARB.
OA	WHITE ACRYLIC

OPTIONS

DIMENSIONS AND SPECIFICATIONS SUBJECT TO CHANGE WITHOUT NOTIFICATION.



THE L.C. DOANE COMPANY DESIGNERS AND MANUFACTURERS OF SPECIALIZED LIGHTING EQUIPMENT

P.O. Box 975 • Essex, CT 06426 • (860) 767-8295 • Fax (860) 767-1397 • Web Site: www.lcdoane.com