



LPCC-LED

High Abuse Corner Mount **LED** Linear

PRODUCT SPECIFICATION

The LPCC series is designed for general purpose lighting in high abuse environments.

Mounting

Surface mounts to corners.

Lens

Vandal resistant, injection molded, UV stabilized, prismatic polycarbonate lens.

Housing

Cold rolled steel die formed to shape with seams welded and ground smooth.

Finish

Polyester powder-coated after phosphate pretreatment for superior adhesion and corrosion resistance.

Hardware

Stainless steel, tamper-proof fasteners.

Driver

0-10Vdc dimming, Range 10%-100%
-40°C Min. starting temperature, >0.9 PF, <20% THD

Wiring

Driver provided with pre-wired 3-wire self-aligning input power quick disconnect and 2-wire quick disconnect to LED module.

Certifications

UL Listed wet locations. IP65 rated. Covered ceilings only.

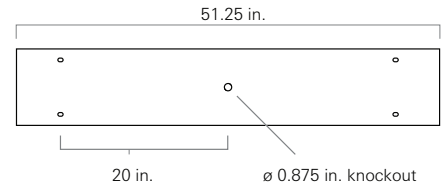
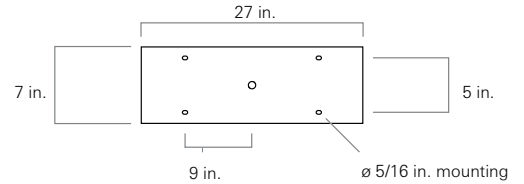
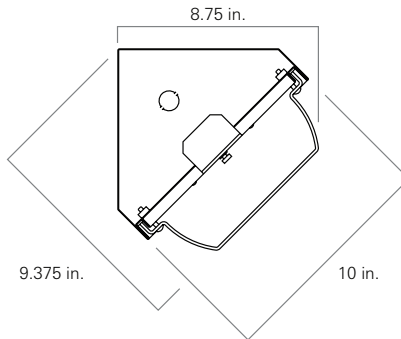
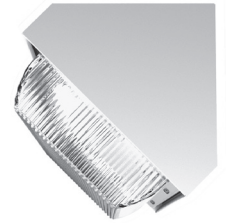
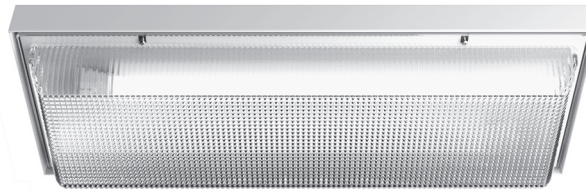
Job Name _____

Fixture Type _____

Catalog No. _____

Approval _____

Date _____



one Luminaire Size

- 2 2 ft. fixture
- 4 4 ft. fixture

two LED Rows

- 1L One
- 2L Two

three Color Temperature

- 35 3500K
- 40 4000K
- 50 5000K

four Voltage

- 120 120 V, 60 Hz
- 277 277 V, 60 Hz
- VAR Variable, 120-277 V, 50/60Hz

five Driver

- DM 0-10VDC Dimming, standard

six Lens Fasteners

- AP Stainless steel allen head with pin
- TP Stainless steel torx head with pin
- PH Phillips, non-security

seven Electrical Access

- A 2.250 in. diameter access hole
- K 0.875 in. diameter knockout(s)

eight UL Listing

- D Damp and dry location
- W Wet location

nine Finish

- W White

ten Options

- SO Specified output*
- 2C Two-circuit wired
- CU Canadian UL Listing
- EM Emergency battery backup
- FH Fuse and holder
- NL-LED Night light, LED

Consult factory for aluminum or 14 - 18 gauge CRS and stainless steel

* Indicated as SO(xx/xxxx). Specified output, Input watts / delivered lumens to be determined based on specified requirements

Modifications are available to meet custom requirements.