



PRODUCT SPECIFICATION

The LPCC series is designed for general purpose lighting in high abuse environments.

Mounting

Surface mounts to corners.

Lens

Vandal resistant, injection molded, UV stabilized, prismatic polycarbonate lens.

Housing

Cold rolled steel die formed to shape with seams welded and ground smooth.

Finish

Polyester powder-coated after phosphate pretreatment for superior adhesion and corrosion resistance.

Hardware

Stainless steel, tamper-proof fasteners.

Certifications

UL Listed wet locations. Covered ceilings only.

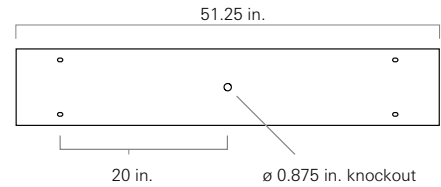
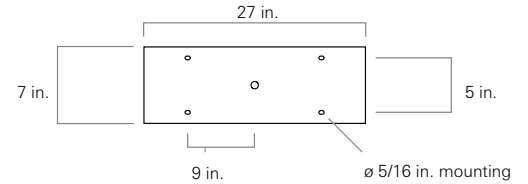
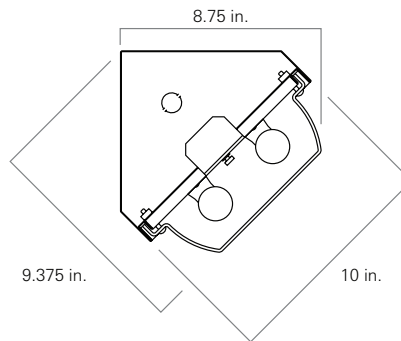
Job Name _____

Fixture Type _____

Catalog No. _____

Approval _____

Date _____



one Lamps (not included)

- 14 2 ft. 14 W T5
- 17 2 ft. 17 W T8
- 24 2 ft. 24 W T5 HO
- 4B 2 ft. 40 W T5 Biax
- 28 4 ft. 28 W T5
- 32 4 ft. 32 W T8
- 54 4 ft. 54 W T5 HO

two Lamp Quantity

- 2 Two
- 3 Three

three Voltage

- 120 120 V, 60 Hz
- 277 277 V, 60 Hz
- 347 347 V, 60 Hz
- VAR Variable, 120-277 V, 50/60Hz

four Ballast

- DM Dimming
- EL Electronic Instant Start, std T8
- PR Program Rapid Start, std T5, option T8

five Lens Fasteners

- AP Stainless steel allen head with pin
- TP Stainless steel torx head with pin
- PH Phillips, non-security

six Electrical Access

- A 2.250 in. diameter access hole
- K 0.875 in. diameter knockout(s)

seven UL Listing

- W Wet location

eight Finish

- W White

nine Options

- 2C Two-circuit wired
- CU Canadian UL Listing
- E1 One lamp emergency ballast
- E2 Two lamp emergency ballast
- FH Fuse and holder
- LL Lamp locks for T8 lamps
- NL Night light, for 7 or 9 W PL bipin
- NL-LED Night light, LED

Consult factory for aluminum or 14 - 18 gauge CRS and stainless steel