



PRODUCT SPECIFICATION

The HAR series is designed for general purpose lighting in high abuse environments.

Mounting

Recessed flange mounts in ceiling.

Lens

Available with a vandal resistant, injection molded drop lens or flat prismatic lens.

Housing

18 gauge cold rolled steel die-formed to shape with seams welded and ground smooth.

Finish

Polyester powder-coated after phosphate pretreatment for superior adhesion and corrosion resistance.

Hardware

Stainless steel, tamper-proof fasteners.

Wiring

All electrical components are reflector-mounted for easy wiring and maintenance.

Certifications

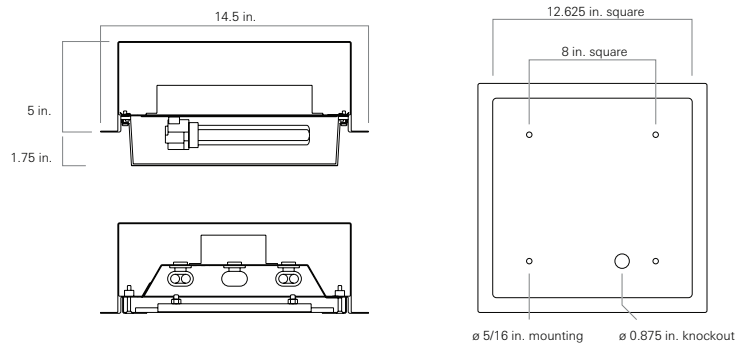
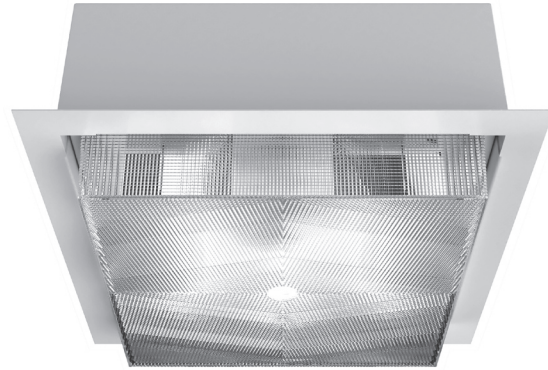
Wet location UL Listed.

Job Name _____

Fixture Type _____

Catalog No. _____

Approval _____ Date _____



one Lamps (not included)

- 13 13 W T4 TT
- 13D 13 W T4 DTT
- 26 26 W T4 DTT, 2 lamp maximum

four Ballast

- EL Electronic high power factor, std for DTT
- HP High power factor
- PH Pre-heat, std for 13W TT

six Fasteners

- AP Stainless steel allen head with pin
- TP Stainless steel torx head with pin
- PH Phillips, non-security

two Lamp Quantity

- 1 One
- 2 Two
- 3 Three

five Lens

- A Drop, acrylic
- P Drop, polycarbonate
- 53 flat, acrylic .125 in. K12 prismatic
- 55 flat, acrylic .156 in K12 prismatic
- 15 flat, polycarbonate .156 in K12 prismatic
- 16 flat, polycarbonate .187 in K12 prismatic
- 75 flat, tempered glass .156 in. prismatic

seven UL Listing

- W Wet Location

three Voltage

- 120 120 V, 60 Hz
- 277 277 V, 60 Hz
- 347 347 V, 60 Hz
- VAR Variable, 120-277 V, 50/60Hz

eight Options

- CU Canadian UL Listing
- E1 One lamp emergency ballast
- FH Fuse and holder
- PF Plaster frame
- SR Specular reflector

Modifications are available to meet custom requirements.