



PRODUCT SPECIFICATION

The CRNM series is designed for use in all levels of security facilities and high abuse applications.

Mounting

Mounts recessed in metal pan or gypsum ceiling with universal mounting brackets.

Housing

18 gauge die-formed cold rolled steel with seams welded and ground smooth.

Door

One-piece die-formed cold rolled steel overlapping door with 14 gauge lens retainers. Stainless steel available.

Finish

Polyester powder-coated after phosphate pretreatment for superior adhesion and corrosion resistance. Brushed stainless steel available.

Hardware

Recessed, stainless steel, tamper-proof fasteners.

Wiring

All electrical components are reflector-mounted for easy wiring and maintenance.

Certifications

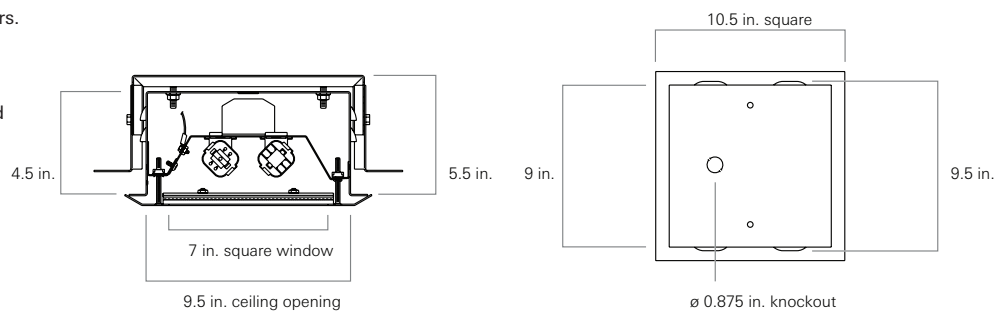
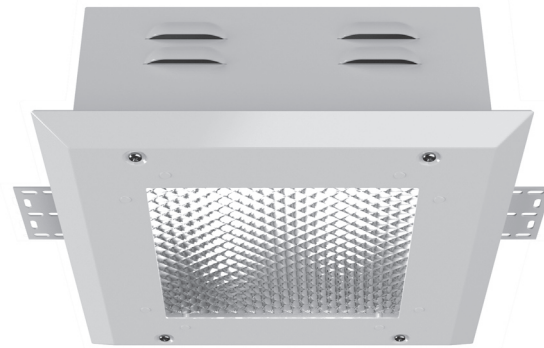
UL Listed damp or wet location.

Job Name _____

Fixture Type _____

Catalog No. _____

Approval _____ Date _____



CRNM	one	two	three	four	five	six	seven	eight	nine	ten	eleven	twelve
------	-----	-----	-------	------	------	-----	-------	-------	------	-----	--------	--------

one Lamps (not included)	13 13 W T4 TT	13D 13 W T4 DTT	26 26 W T4 DTT
two Lamp Quantity	1 one	2 two	
three Door Gauge	N 18 gauge, minimum security	D 16 gauge, medium security	X 14 gauge, maximum security
four Door Material	C Cold rolled steel	S Stainless steel	

five Finish	R Brushed stainless steel	W White			
six Voltage	120 120 V, 60 Hz	277 277 V, 60 Hz	VAR Variable, 120-277 V, 50/60 Hz, <u>EL only</u>		
seven Ballast	EL Electronic high power factor, <u>std for DTT</u>	HP High power factor	PH Pre-heat, <u>std for 13W TT</u>		
eight Internal Lens	53 .125 in. K12 prismatic acrylic	12 .125 in. K12 prismatic polycarbonate	15 .156 in. K12 prismatic polycarbonate	75 .156 in. C73 prismatic tempered glass	01 .005 in. UV absorbing overlay

nine External Lens	30 .187 in. clear polycarbonate	32 .250 in. clear polycarbonate	90 .187 in. clear tempered glass	92 .250 in. clear tempered glass
ten Door Fasteners	AP Stainless steel allen head with pin	TP Stainless steel torx head with pin	PH Phillips, non-security	
eleven UL Listing	D Damp Location	W Wet Location		
twelve Options	CU Canadian UL Listing	FH Fuse and holder		

Modifications are available to meet custom requirements.