



PRODUCT SPECIFICATION

The 400 series is designed for general purpose lighting in high abuse environments.

Mounting

Surface mounts to ceiling or wall.

Lens

Vandal resistant, injection molded, prismatic acrylic or polycarbonate lens completely encloses the back-plate.

Backplate

18 gauge cold rolled steel die-formed to shape. Stainless steel available.

Finish

Polyester powder-coated after phosphate pretreatment for superior adhesion and corrosion resistance.

Hardware

Stainless steel, tamper-proof fasteners.

Certifications

UL Listed wet location. Covered ceilings only.

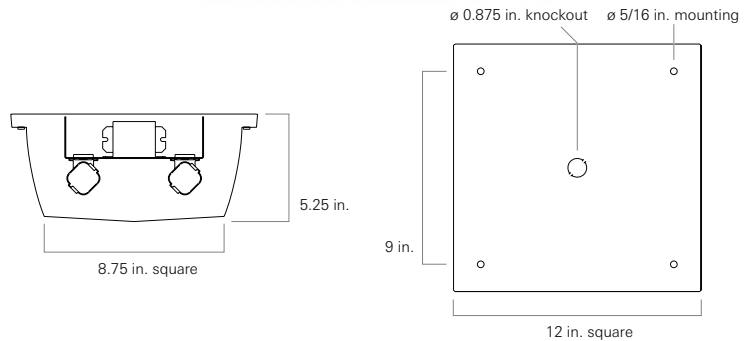
Job Name _____

Fixture Type _____

Catalog No. _____

Approval _____

Date _____



-

one PL Lamps (not included)

- 13D 13 W 5 in. T4 DTT
- 18D 18 W 6 in. T4 DTT
- 26 26 W 7 in. T4 DTT
- 32T 32 W 6 in. T4 TTT, one lamp only
- 42C 42 W 7 in. T4 QTT, one lamp only

two Lamp Quantity

- 1 One lamp
- 2 Two lamps

three Material

- C Cold rolled steel
- S Stainless steel

four Voltage

- 120 120 V, 60 Hz
- 277 277 V, 60 Hz
- 347 347 V, 60 Hz
- VAR Variable, 120-277 V, 50/60Hz

five Ballast

- EL Electronic

six Lens

- A Clear acrylic
- P Clear polycarbonate
- OA White acrylic
- OP White polycarbonate

seven Door Fasteners

- AP Stainless steel allen head with pin
- TP Stainless steel torx head with pin
- PH Phillips, non-security

eight UL Listing

- W Wet location

nine Options

- CU Canadian UL Listing
- FH Fuse and holder

Modifications are available to meet custom requirements.